

Spare Parts List

GARUDAN[®]

GF-131-443 MH/L34

GF-131-446 MH/L34



ANITA B, s.r.o.

Hliníky 2068

680 01 Boskovice

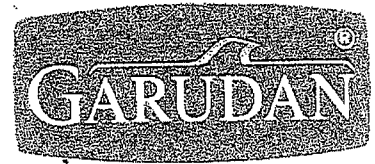
Czech Republic

tel: +420 516454774, 516453496

fax: +420 516452751

e-mail: info@anita.cz

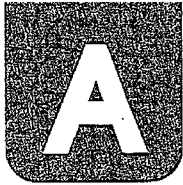
www.garudan.cz



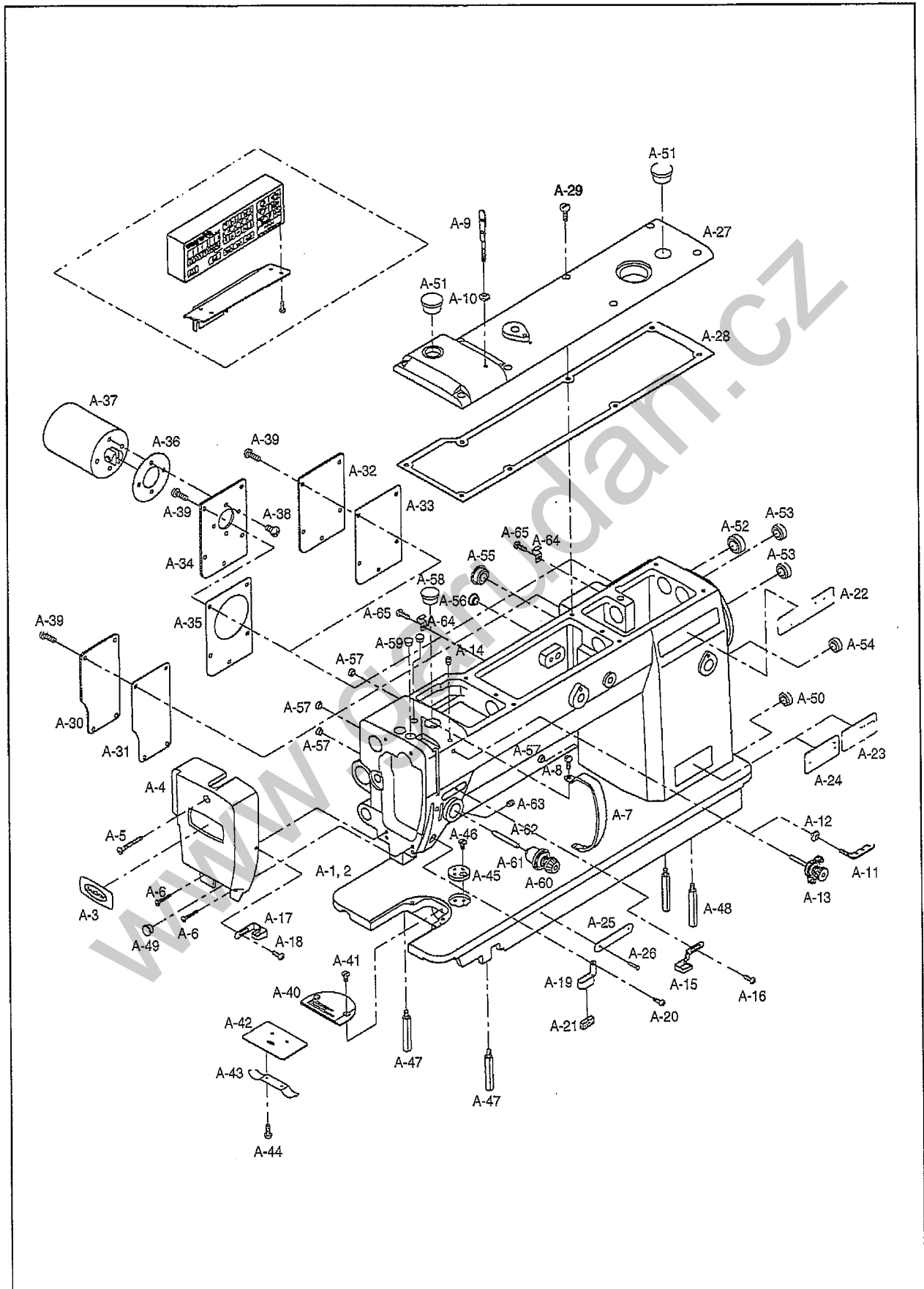
CONTENTS

A	<i>Machine Body & Thread Tension Adjusting Mechanism</i>	4
B	<i>Upper Shaft & Needle Bar Mechanism</i>	6
C	<i>Upright Shaft & Lower Shaft Mechanism</i>	8
D	<i>Lower Feed Mechanism</i>	10
E	<i>Thread Trimmer Mechanism</i>	14
F	<i>Upper Feed Mechanism</i>	16
G	<i>Presser Foot & Tension Release Mechanism</i>	20
H	<i>Reverse Button Mechanism</i>	22
I	<i>Lubrication</i>	24
J	<i>Accessories</i>	26

NOTE : Parts are Subject to Change in Design Without Prior Notice.

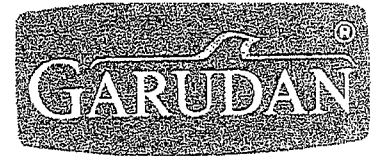


Machine Body & Thread Tension Adjusting Mechanism



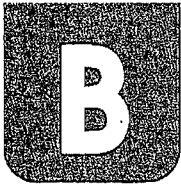
NOTE:

BL = GF-131-443 MH/L34
 BL-7 = GF-131-446 MH/L34

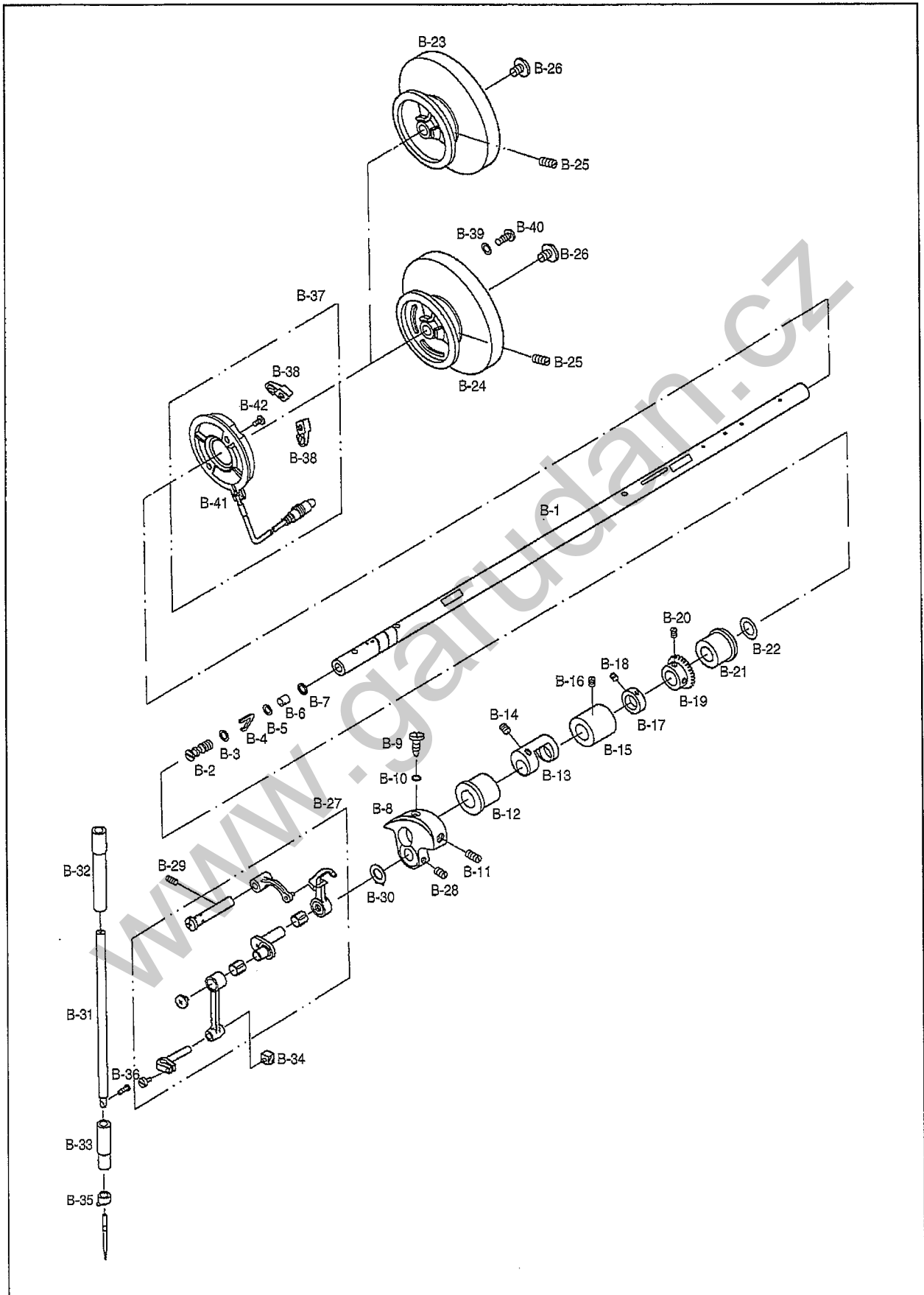


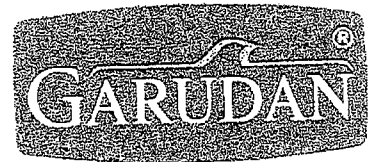
Ref. No.	Parts No.	Note	Name of Parts	Qty.	Assembly No.
A-1	01-001A-640L	BL	Arm. Bed	1	
A-2	01-001A-64L7	BL-7	Arm. Bed	1	
A-3	01-038M-2500		Brand Mark(Face Plate)	1	
A-4	01-004A-640L		Face Plate	1	
A-5	01-004S-640L		Screw For Face Plate(Upper)	1	
A-6	SC-0498-3710		Screw(11/64" n=40)	2	
A-7	01-106A-640L		Thread Take Up Cover	1	
A-8	SC-0543-2302		Screw(11/64" n=40)	1	
A-9	01-116A-2350		Upper Thread Guide Pin Ass'y	1	
A-10	01-027C-1230		Nut For A-9	1	
A-11	01-015A-1230	BL	Thread Guide With Three Holes	1	
A-12	01-027C-1230	BL	Nut For A-11	1	
A-13	40-001A-257A	BL-7	Sub Upper Thread Tension Ass'y Control	1	
A-14	SC-0542-1230	BL-7	Screw(11/64" n=40)	1	
A-15	01-007C-3400		Arm Thread Guide	1	
A-16	SC-0120-1230		Screw(9/64" n=40)	1	
A-17	01-031C-146L		Face Plate Thread Guide	1	
A-18	SC-0120-1230		Screw(9/64" n=40)	1	
A-19	44-008A-3400		Upper Thread Oil Felt Case	1	
A-20	SC-0120-1230		Screw(9/64" n=40)	1	
A-21	44-009M-3400		Upper Thread Oil Felt	1	
A-22	01-010M-2350		Brand Mark(Arm)	1	
A-23	01-020M-640L		Model Mark(KM-640BL)	1	
A-24	01-020M-64L7	BL-7	Model Mark(KM-640BL-7)	1	
A-25	01-035P-1370		Machine Number Plate	1	
A-26	01-035P-7400		Pin For A-25	2	
A-27	01-023A-640L		Top Cover	1	
A-28	01-024C-640L		Gasket For Top Cover	1	
A-29	SC-0174-1230		Screw(11/64" n=40)	8	
A-30	01-026A-640L		Back Cover(A)	1	
A-31	01-027C-640L		Gasket For Back Cover(A)	1	
A-32	01-028A-640L	BL	Back Cover(B)	1	
A-33	01-029C-640L	BL	Gasket For Back Cover(B)	1	
A-34	06-092A-64L7	BL-7	B/T Solenoid Bracket	1	
A-35	06-093M-64L7	BL-7	Gasket for B/T Solenoid Bracket	1	
A-36	06-090M-64L7	BL-7	Gasket for B/T Solenoid	1	
A-37	06-0001-6400	BL-7	B/T Solenoid Ass'y	1	
A-38	SC-0175-1230	BL-7	Screw(11/64" n=40)	4	
A-39	SC-0498-3710		Screw(11/64" n=40)	9	
A-40	01-012A-3400		Needle Plate	1	
A-41	01-136S-1230		Screw(11/64" n=40)	2	
A-42	01-134A-640L		Slide Plate	1	
A-43	01-234A-1230		Slide Plate Spring	1	
A-44	01-334A-1230		Screw For A-43	2	
A-45	01-044A-257A		Gauge Plate	1	
A-46	SC-A119-4119		Screw(11/64" n=40)	1	
A-47	01-039A-640L		Bed Base(Front)	2	
A-48	01-040A-640L		Bed Base(Rear)	2	
A-49	01-110R-1230		Face Plate Rubber Cap	1	
A-50	01-021R-1600		Bed Rubber Cap	1	
A-51	01-042R-640L		Top Cover Rubber Cap	2	
A-52	01-043R-640L		Feed Regulator Shaft Rubber Cap	1	
A-53	01-044R-640L		Climb Device Adjusting Shaft Rubber Cap	2	
A-54	01-045R-640L		Feed Adjusting Shaft Rubber Cap	1	
A-55	01-018M-9570		Arm Back Part Rubber Cap(Large)	1	
A-56	01-110R-1230		Arm Back Part Rubber Cap(Middle)	1	
A-57	04-104R-1230		Arm Back Part Rubber Cap(Small)	4	
A-58	01-042R-640L		Arm Upper Part Rubber Cap(Large)	1	
A-59	04-104R-1230		Arm Upper Part Rubber Cap(Small)	2	
A-60	40-104A-640L		Thread Tension Control Ass'y	1	
A-61	40-008R-1230		Rubber Cap For A-60	1	
A-62	40-011P-640L		Tension Release Pin	1	
A-63	SC-0509-1230		Screw(15/64" n=28)	1	
A-64	01-009R-2350	BL-7	Cable Holder	2	
A-65	SC-0543-2302	BL-7	Screw(11/64" n=40)	2	





Upper Shaft & Needle Bar Mechanism



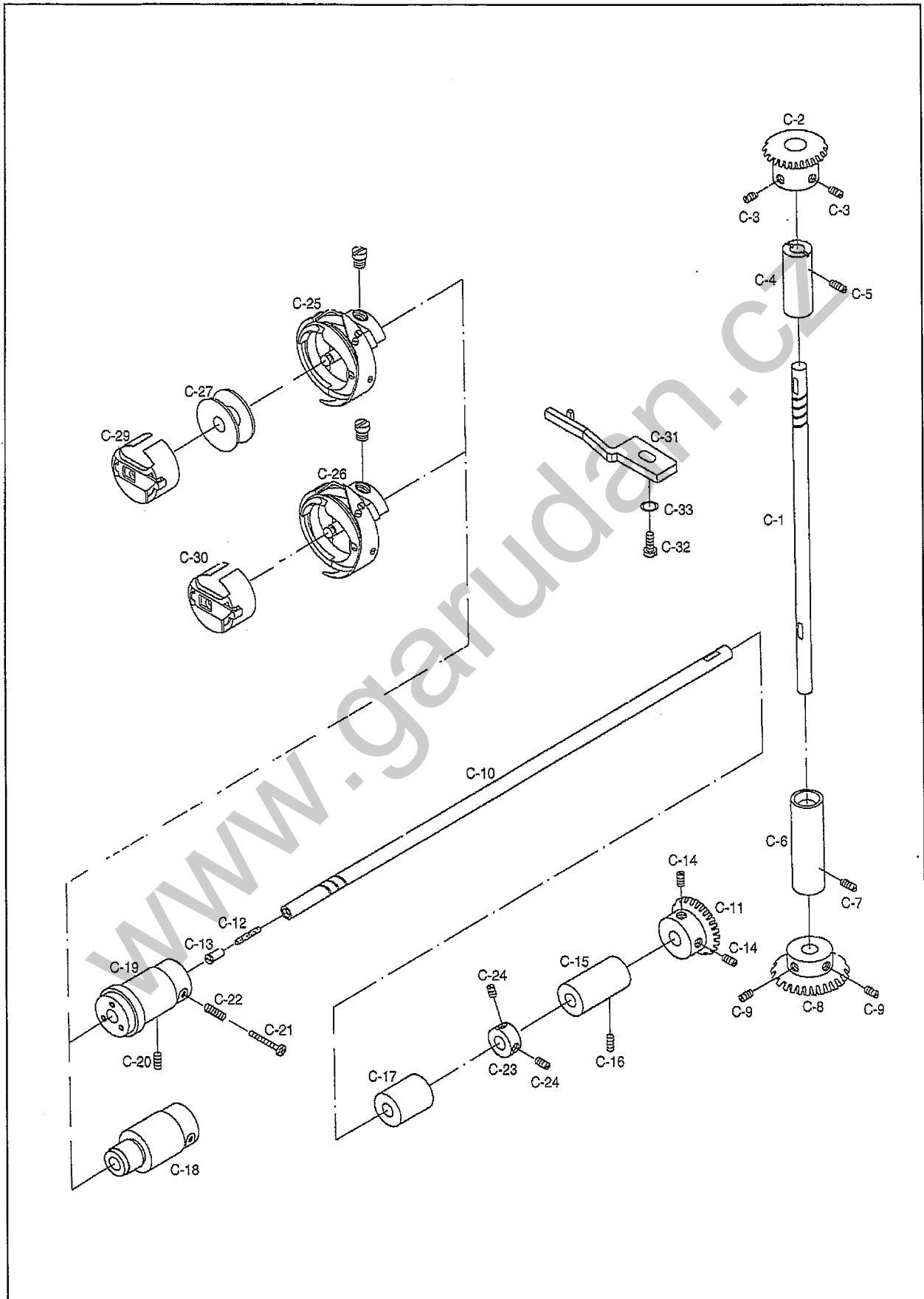


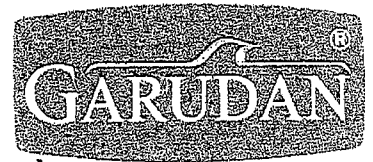
Ref. No.	Parts No.	Note	Name of Parts	Qty	Assembly No.
B-1	02-101A-640L		Upper Shaft	1	
B-2	02-115C-2500		Oil Adjusting Pin For B-1	1	
B-3	02-016R-1230		O-Ring For B-2	1	
B-4	02-017G-1230		Spring for B-2	1	
B-5	02-019W-1230		Washer for B-6	1	
B-6	02-020M-1230		Upper Shaft Felt	1	
B-7	02-118W-1230		Upper Shaft Urethan Washer	1	
B-8	02-108A-640L		Link Cam	1	
B-9	SC-0123-1230		Screw(9/32" n=28)	1	
B-10	02-016R-1230		O-Ring for B-9	1	
B-11	SC-0148-2302		Screw(9/32" n=28)	1	
B-12	02-112A-640L		Upper Shaft Front Bushing	1	
B-13	02-113A-640L		Balance Cam	1	
B-14	SC-0504-1230		Screw(1/4" n=40)	2	
B-15	02-105A-640L		Upper Shaft Middle Bushing	1	
B-16	SC-0110-1230		Screw(15/64" n=28)	1	
B-17	02-121A-1230		Upper Shaft Collar	1	
B-18	SC-A129-4515		Screw(1/4" n=40)	2	
B-19	02-211A-1230		Upper Shaft Gear Ass'y	1	
B-20	02-014A-640L		Screw(1/4" n=40)	2	
B-21	02-106A-257B		Upper Shaft Rear Bushing	1	
B-22	02-028C-1230		Oil Seal for B-21	1	
B-23	02-006A-3400	BL	Pulley	1	
B-24	02-026A-64L7	BL-7	Pulley	1	
B-25	SC-0150-2500		Screw(15/64" n=28)	2	
B-26	SC-0188-1230		Screw(5/16" n=24)	1	
B-27	08-101A-3400		Thread Take-Up Lever Assembly	1	
B-28	SC-A129-4515		Screw(1/4" n=40)	2	
B-29	SC-0507-1230		Screw(15/64" n=28)	1	
B-30	08-106C-2500		Protection Plate for B-8	1	
B-31	04-101A-640L		Needle Bar	1	
B-32	04-108A-1230		Needle Bar Upper Bushing	1	
B-33	04-103A-640L		Needle Bar Lower Bushing	1	
B-34	04-006A-1230		Needle Bar Guide Slide Block	1	
B-35	04-002C-640L		Needle Bar Thread Guide	1	
B-36	SC-A131-4522		Screw(1/8" n=44)	1	
B-37	11-0000-2507	BL-7	Synchronizer Ass'y	1	
B-38	11-020A-2500	BL-7	Magnetic Holder	2	
B-39	11-022W-2500	BL-7	Washer for B-38	2	
B-40	11-021S-2500	BL-7	Screw for B-38	2	
B-41	11-023A-2500	BL-7	Synchronizer	1	
B-42	11-024A-2500	BL-7	Screw for B-41	2	



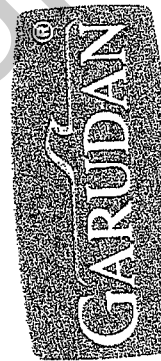


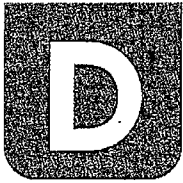
Upright Shaft & Lower Shaft Mechanism



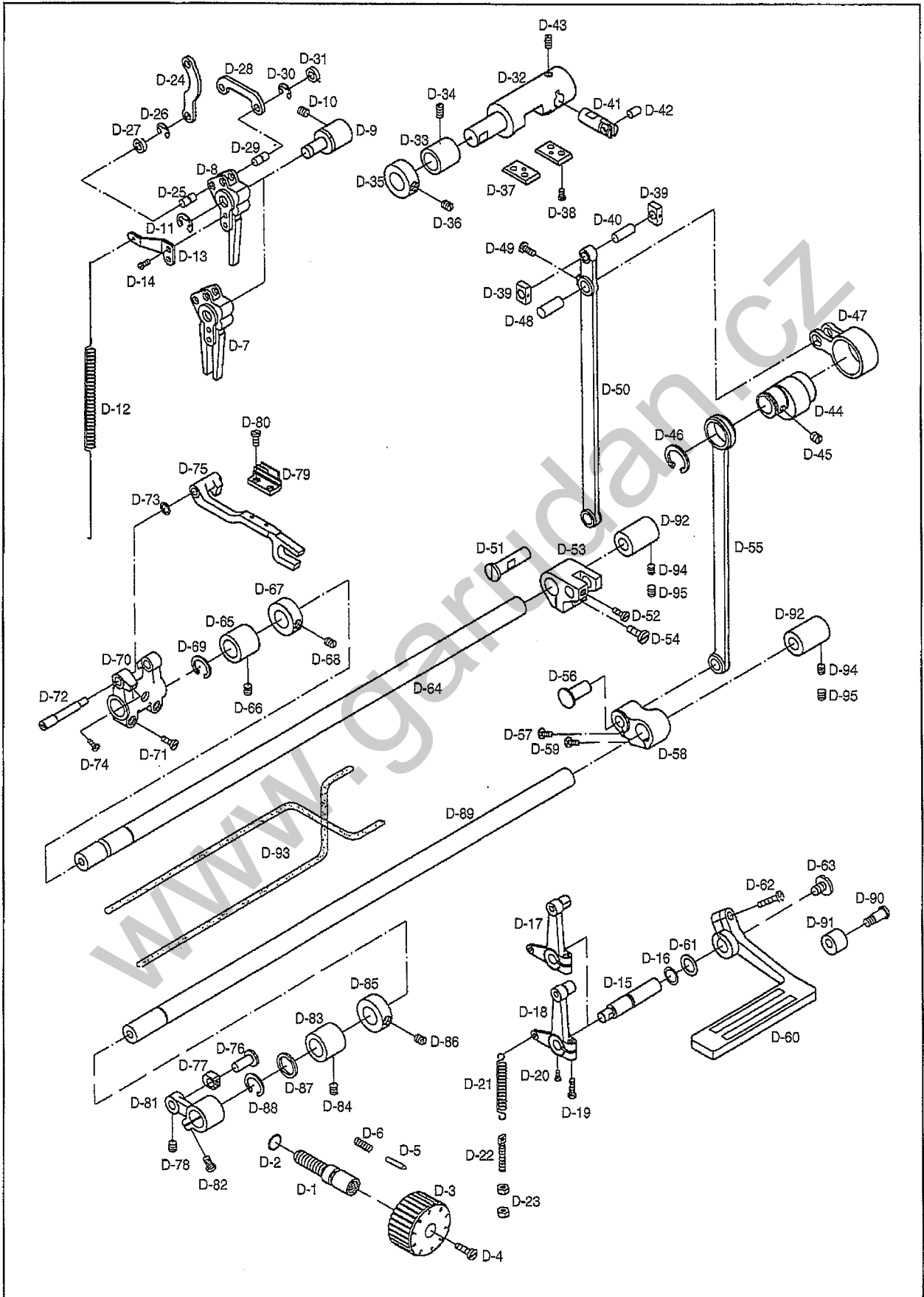


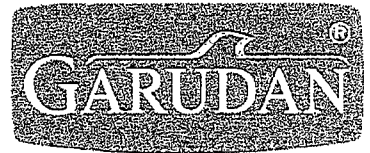
Ref. No.	Parts No.	Note	Name of Parts	Qty	Assembly No.
C-1	03-101A-640L		Upright Shaft	1	
C-2	02-212A-1230		Upright Shaft Upper Gear Ass'y	1	
C-3	SC-A129-4515		Screw(1/4" n=40)	2	
C-4	03-102A-1230		Upright Shaft Upper Bushing	1	
C-5	SC-0507-1230		Screw(15/64" n=28)	1	
C-6	03-103A-1230		Upright Shaft Lower Bushing	1	
C-7	SC-0507-1230		Screw(15/64" n=28)	1	
C-8	02-213A-1230		Upright Shaft Lower Gear Ass'y	1	
C-9	SC-A129-4515		Screw(1/4" n=40)	2	
C-10	07-101A-640L		Lower Shaft	1	
C-11	02-214A-1230		Lower Shaft Gear Ass'y	1	
C-12	07-005M-1230		Lower Shaft Felt	1	
C-13	07-004S-1230		Cap Screw for Lower Shaft Oil Felt	1	
C-14	SC-A129-4515		Screw(1/4" n=40)	2	
C-15	07-110A-1230		Lower Shaft Rear Bushing	1	
C-16	SC-0507-1230		Screw(15/64" n=28)	1	
C-17	07-103A-1600		Lower Shaft Middle Bushing	1	
C-18	07-107A-250A	BL	Lower Shaft Front Bushing	1	
C-19	07-121A-64L7	BL-7	Lower Shaft Front Bushing	1	
C-20	SC-0114-1230		Screw(15/64" n=28)	1	
C-21	SC-0361-1230		Screw(3/16" n=32)	1	
C-22	07-015G-1230		Spring for C-23	1	
C-23	44-025A-1230		Lower Shaft Collar	1	
C-24	SC-0104-5607		Screw(11/64" n=40)	2	
C-25	07-007A-640L		Rotary Hook Assembly	1	
C-26	07-024A-64L7	BL	Rotary Hook Assembly	1	
C-27	07-225A-64L7		Bobbin	1	
C-29	07-006A-146L	BL-7	Bobbin Case Assembly	1	
C-30	07-026A-64L7	BL	Bobbin Case Assembly	1	
C-31	07-013A-1230	BL-7	Inner Bobbin Stopper	1	
C-32	SC-0174-1230		Screw(11/64" n=40)	1	
C-33	07-011W-1230		Washer for C-34	1	





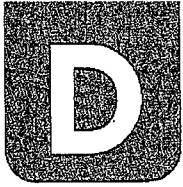
Lower Feed Mechanism



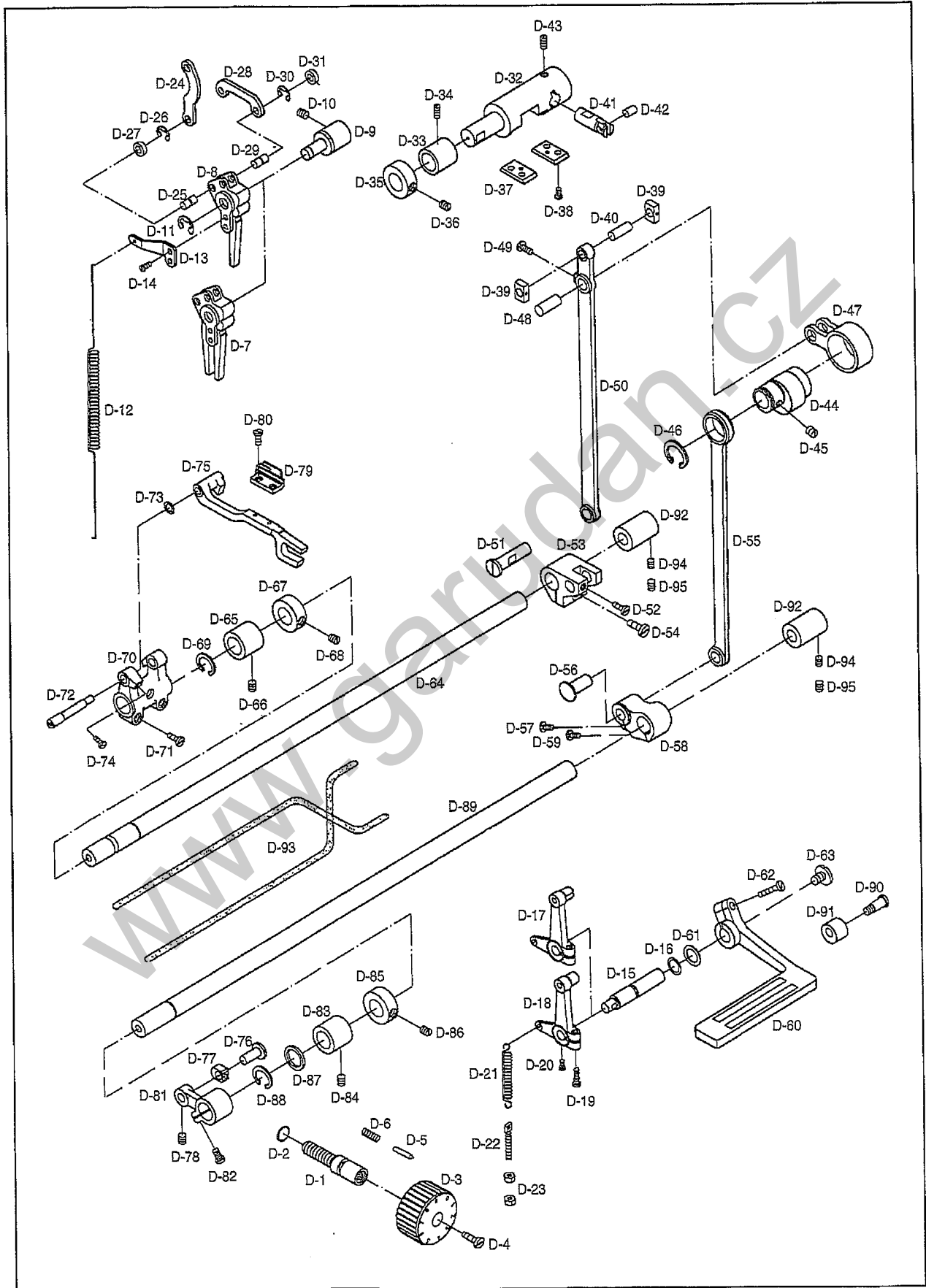


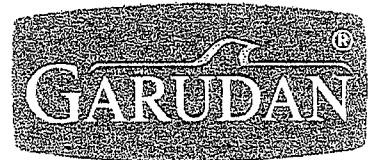
Ref. No.	Parts No.	Note	Name of Parts	Qty	Assembly No.
D-1	06-001A-640L		Feed Regulator Dial Shaft	1	
D-2	06-010R-1230		O-Ring For D-1	1	
D-3	06-007C-3400		Feed Regulator Control Plate	1	
D-4	SC-0193-1230		Screw(3/16" n=28)	1	
D-5	06-026P-1230		Pin For D-3	1	
D-6	06-027G-1230		Spring For D-5	1	
D-7	06-107A-640L	BL	Feed Regulator	1	
D-8	06-183A-64L7	BL-7	Feed Regulator	1	
D-9	06-109A-640L		Feed Adjusting Shaft	1	
D-10	SC-0317-2700		Screw(15/64" n=28)	1	
D-11	06-003C-7400		E-Ring For D-8	1	
D-12	06-013G-640L		Spring For D-7, D-8	1	
D-13	06-114P-640L		Holder For D-12	1	
D-14	SC-0175-1230		Screw(11/64" n=40)	2	
D-15	06-116A-640L		Reverse Feed Control Lever Shaft	1	
D-16	06-042R-1230		O-Ring For D-15	1	
D-17	06-018A-640L	BL	Reverse Feed Lever Crank Ass'y	1	
D-18	06-018A-64L7	BL-7	Reverse Feed Lever Crank Ass'y	1	
D-19	SC-0184-1600		Screw(3/16" n=28)	1	
D-20	SC-0174-1230		Screw(11/64" n=40)	1	
D-21	06-024G-1230		Return Spring For D-17, D-18	1	
D-24	06-024A-640L		Connecting Rod For Feed Regulator Shaft	1	
D-25	06-025P-640L		Pin For D-24	1	
D-26	05-014C-1230		E-Ring For D-25	1	
D-27	06-027P-640L		Feed Regulator Spacer	1	
D-28	06-094A-64L7	BL-7	B/T Solenoid Crank	1	
D-29	06-025P-640L	BL-7	Pin For D-28	1	
D-30	05-014C-1230	BL-7	E-Ring For D-29	1	
D-31	06-027P-640L	BL-7	B/T Solenoid Crank Spacer	1	
D-32	06-028A-640L		Feed Regulator Shaft	1	
D-33	06-029A-640L		Feed Regulator Shaft Bushing	1	
D-34	SC-0114-1230		Screw(15/64" n=28)	1	
D-35	02-021A-1230		Stopper Collar For D-32	1	
D-36	SC-A129-4515		Screw(1/4" n=40)	2	
D-37	05-133P-640L		Slide Block Guide Plate	2	
D-38	SC-0175-1230		Screw(11/64" n=40)	4	
D-39	06-135A-640L		Slide Block	2	
D-40	06-036A-640L		Slide Block Shaft	1	
D-41	06-037P-640L		Reverse Shaft For D-32	1	
D-42	06-038P-640L		Connecting Pin For D-41	1	
D-43	SC-0507-1230		Screw(15/64" n=28)	1	
D-44	06-140A-640L		Feed Cam	1	
D-45	SC-A129-4515		Screw(1/4" n=40)	2	
D-46	06-007C-1600		C-Ring For D-44	1	
D-47	06-143A-640L		Connecting Rod For D-44	1	
D-48	06-044P-640L		Pin For D-47	1	
D-49	SC-0128-7400		Screw(11/64" n=40)	1	
D-50	06-046A-640L		Feed Connecting Rod	1	
D-51	06-047A-640L		Pin For D-50	1	





Lower Feed Mechanism



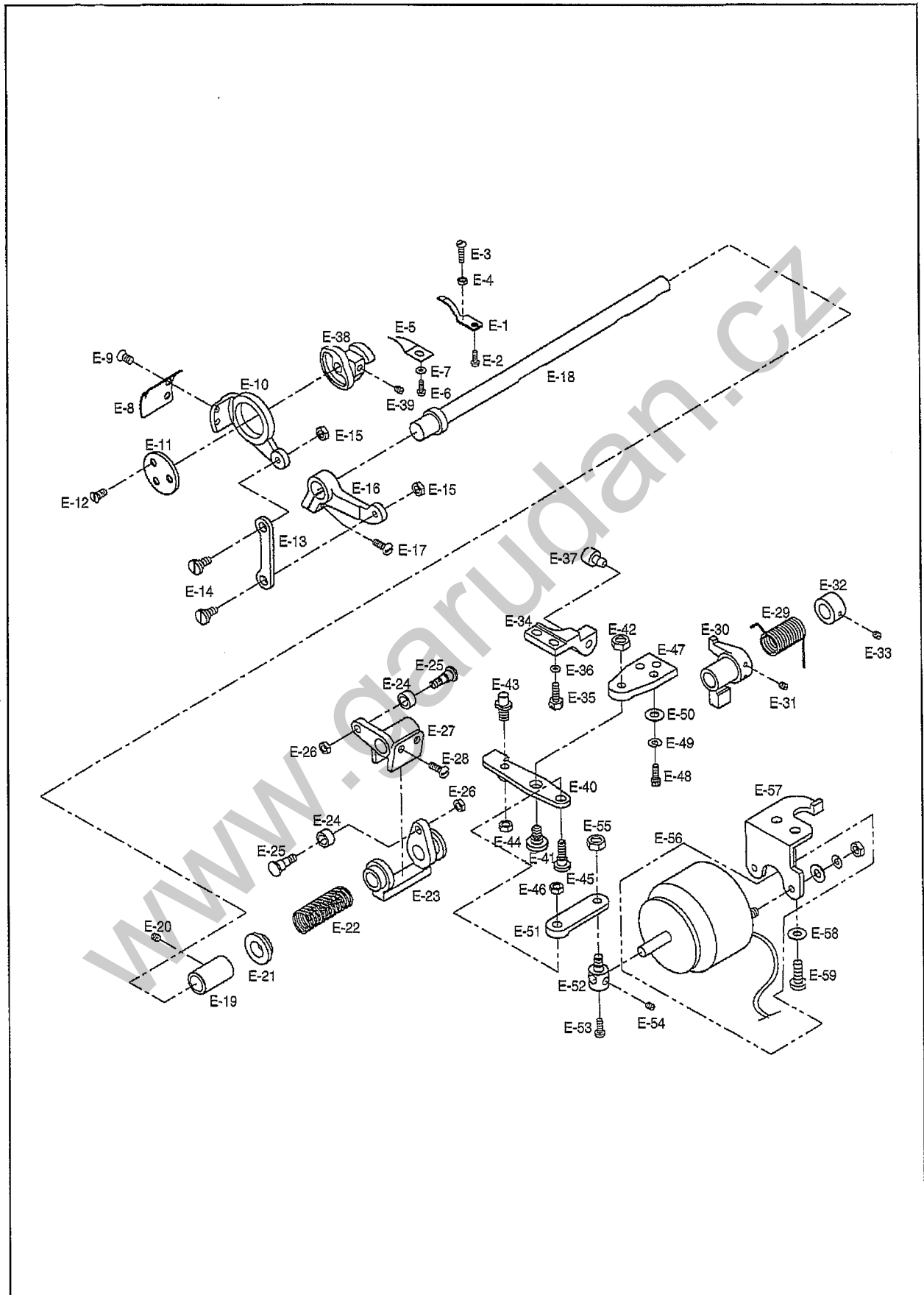


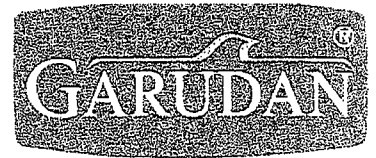
Ref. No.	Parts No.	Note	Name of Parts	Quantity	Assembly No.
D-52	SC-0122-1230		Screw(15/64" n = 28)	1	
D-53	06-149A-640L		Level Feed Shaft Crank(Rear)	1	
D-54	SC-0343-3800		Screw(15/64" n = 28)	1	
D-55	06-151A-640L		Crank Rod	1	
D-56	06-017P-3400		Connecting Pin for D-55	1	
D-57	SC-0190-2700		Screw(3/16" n = 32)	1	
D-58	06-154A-640L		Feed Lifting Shaft Crank(Rear)	1	
D-59	SC-0190-2700		Screw(3/16" n = 32)	1	
D-60	06-033A-2350		Reverse Feed Lever	1	
D-61	06-053W-1230		Washer for Reverse Feed Lever Shaft	1	
D-62	SC-0186-1230		Screw(3/16" n = 32)	1	
D-63	SC-0185-1230		Screw(3/16" n = 32)	1	
D-64	06-160A-640L		Level Feed Shaft	1	
D-65	06-119A-3400		Level Feed Shaft Bushing	1	
D-66	SC-0507-1230		Screw(15/64" n = 28)	1	
D-67	02-013A-3710		Collar for D-64	1	
D-68	SC-A129-4515		Screw(1/4" n = 40)	2	
D-69	10-009C-2700		C-Ring for D-64	1	
D-70	06-166A-640L		Feed Bar Crank	1	
D-71	06-023S-3400		Screw(3/16" n = 28)	2	
D-72	06-168A-640L		Feed Bar Shaft	1	
D-73	06-002W-2350		Washer For D-72	1	
D-74	SC-0175-1230		Screw(11/64" n = 40)	1	
D-75	06-125A-3400		Feed Bar	1	
D-76	06-026A-3400		Feed Bar Block Shaft	1	
D-77	06-127A-3400		Sliding Block	1	
D-78	SC-0128-7400		Screw(11/64" n = 40)	1	
D-79	06-007A-123B		Feed Dog	1	
D-80	SC-0130-1230		Screw(1/8" n = 44)	2	
D-81	06-174A-640L		Feed Lifting Shaft Crank(Front)	1	
D-82	SC-0497-1230		Screw(3/16" n = 28)	1	
D-83	06-129A-640L		Feed Lifting Shaft Bushing	1	
D-84	SC-0507-1230		Screw(15/64" n = 28)	1	
D-85	02-013A-3710		Collar for D-89	1	
D-86	SC-0129-7400		Screw(1/4" n = 40)	2	
D-87	06-080W-640L		Washer for D-89	1	
D-88	10-009C-2700		C-Ring for D-89	1	
D-89	06-182A-640L		Feed Lifting Shaft	1	
D-90	06-071S-7507		Stud Screw for D-91	1	
D-91	06-072R-7507		Upper Stopper Rubber for Reverse Lever	1	
D-92	15-113A-3400		Bushing (R) for D-64, D-89	2	
D-93			Oil Wick	1	
D-94	SC-0507-1230		Screw(15/64" n = 28)	2	
D-95	SC-0110-1230		Screw(15/64" n = 28)	2	





Thread Trimmer Mechanism



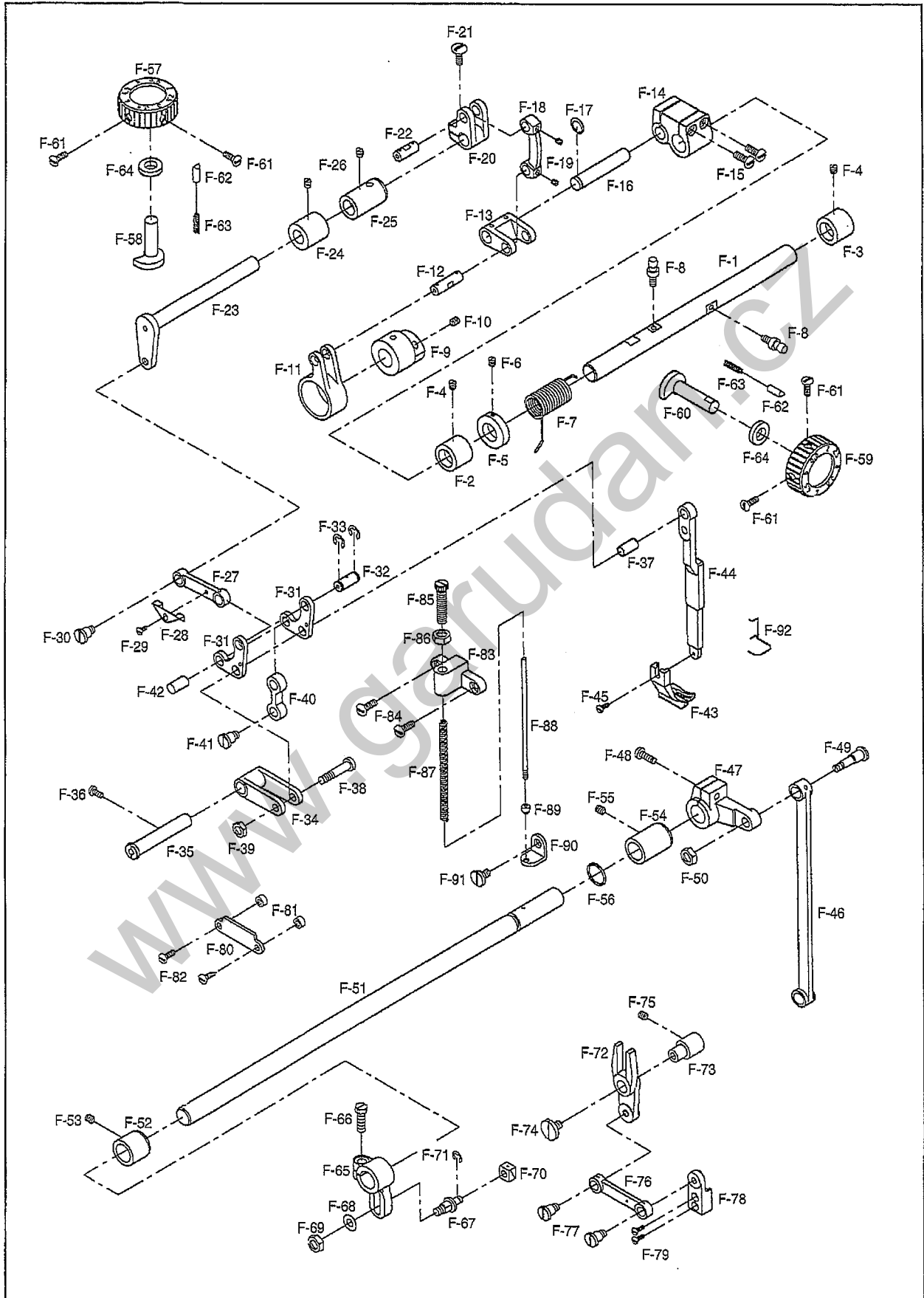


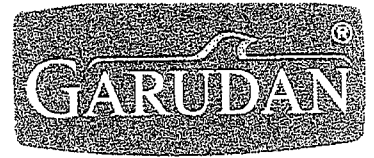
Ref. No.	Parts No.	Note	Name of Parts	Qty	Assembly No.
E-1	10-101A-64L7	BL-7	Fixed Mes	1	
E-2	SC-0145-3800	BL-7	Screw(9/64" n=40)	1	
E-3	SC-A301-4119	BL-7	Screw(1/8" n=40)	1	
E-4	SN-0103-2700	BL-7	Nut(1/8" n=40)	1	
E-5	10-005A-64L7	BL-7	Thread Retaining Plate	1	
E-6	SC-0175-1230	BL-7	Screw(11/64" n=40)	1	
E-7	02-019W-1230	BL-7	Washer for E-5	1	
E-8	10-108A-64L7	BL-7	Rotary Mes	1	
E-9	SC-A154-4114	BL-7	Screw(11/64" n=40)	2	
E-10	10-110A-25BL	BL-7	Thread Trimming Holder	1	
E-11	10-011C-64L7	BL-7	Thread Trimming Holder Cover	1	
E-12	SC-A301-4119	BL-7	Screw(9/64" n=40)	3	
E-13	10-113C-64L7	BL-7	Thread Trimming Lever Connecting Link	1	
E-14	10-014S-64L7	BL-7	Stud Screw for E-13	2	
E-15	SN-0115-7400	BL-7	Nut for E-14	2	
E-16	10-116A-64L7	BL-7	Thread Trimming Lever	1	
E-17	SC-A174-4122	BL-7	Screw(11/64" n=40)	1	
E-18	10-118A-64L7	BL-7	Thread Trimming Shaft	1	
E-19	10-116A-2700	BL-7	Thread Trimming Shaft Bushing	1	
E-20	SC-0352-7400	BL-7	Screw(3/16" n=28)	1	
E-21	10-021C-64L7	BL-7	Guide Bush for Return Spring	1	
E-22	10-022G-64L7	BL-7	Slide Arm Return Spring	1	
E-23	10-123A-64L7	BL-7	Slide Arm	1	
E-24	10-066A-7507	BL-7	Roller	2	
E-25	10-067S-7507	BL-7	Stud Screw for E-24	2	
E-26	SN-0115-7400	BL-7	Nut(3/16" n=32)	2	
E-27	10-127A-64L7	BL-7	Cam Follower Crank	1	
E-28	SC-0169-1800	BL-7	Screw(15/64" n=28)	2	
E-29	10-029G-64L7	BL-7	Return Spring	1	
E-30	10-030A-64L7	BL-7	Stopper Lever	1	
E-31	SC-0317-2700	BL-7	Screw(15/64" n=28)	2	
E-32	06-220A-2350	BL-7	Collar for E-18	1	
E-33	SC-0308-5607	BL-7	Screw(1/4" n=40)	2	
E-34	10-118A-2700	BL-7	Stopper	1	
E-35	SC-0190-2700	BL-7	Screw(3/16" n=32)	2	
E-36	10-020W-2700	BL-7	Washer	2	
E-37	10-021R-2700	BL-7	Stopper Lever Cushion Rubber	1	
E-38	10-054A-64L7	BL-7	Mes Cam	1	
E-39	SC-A308-4517	BL-7	Screw(1/4" n=40)	2	
E-40	10-138A-64L7	BL-7	Clutch Lever	1	
E-41	10-039S-64L7	BL-7	Stud Screw for E-38	1	
E-42	SN-0105-3400	BL-7	Nut(15/64" n=28)	1	
E-43	10-041S-64L7	BL-7	Stud Screw for E-38	1	
E-44	SN-0105-3400	BL-7	Nut(15/64" n=28)	1	
E-45	10-042S-64L7	BL-7	Stud Screw for E-47	1	
E-46	SN-0115-7400	BL-7	Nut(3/16" n=32)	1	
E-47	10-044C-64L7	BL-7	Base Plate	1	
E-48	SC-0190-2700	BL-7	Screw(M5×P0.8)	3	
E-49	07-011W-1230	BL-7	Spring Washer for E-48	3	
E-50	10-020W-2700	BL-7	Washer for E-48	3	
E-51	10-146C-64L7	BL-7	Solenoid Connecting Link	1	
E-52	10-047P-64L7	BL-7	Solenoid Pin	1	
E-53	SC-0496-3710	BL-7	Screw(11/64" n=40)	1	
E-54	SC-0512-1230	BL-7	Screw(11/64" n=40)	1	
E-55	08069SN-9311	BL-7	Nut(M5×P0.8)	1	
E-56	10-050A-64L7	BL-7	Thread Trimming Solenoid Ass'y	1	
E-57	10-151A-64L7	BL-7	Base for E-51	1	
E-58	06-051W-7400	BL-7	Washer for E-52	2	
E-59	SC-0500-7400	BL-7	Screw(15/64" n=28)	2	



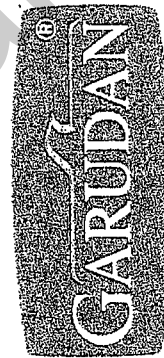


Upper Feed Mechanism



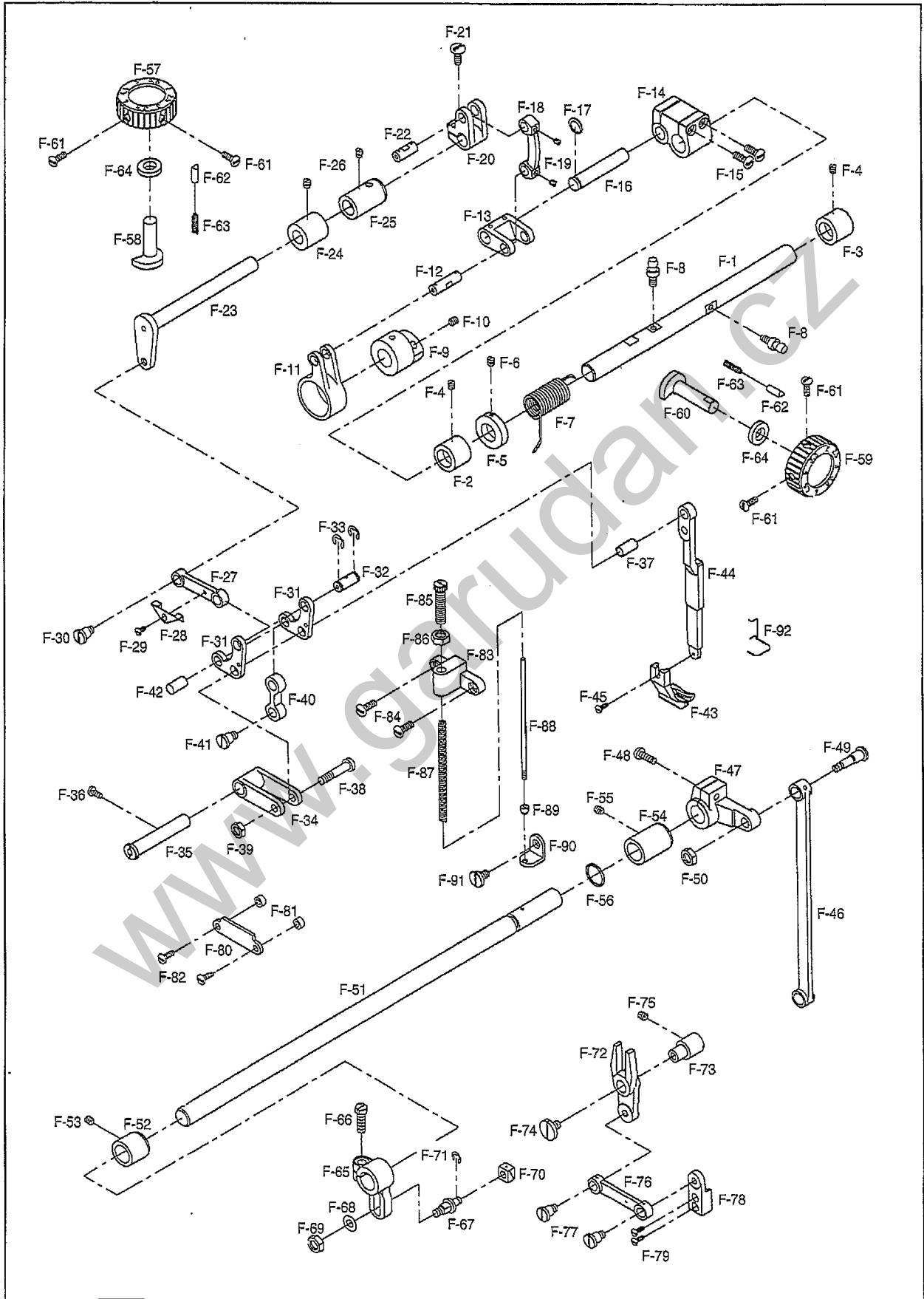


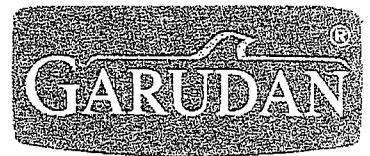
Ref. No.	Parts No.	Note	Name of Parts	Qty	Assembly No.
F-1	15-101A-640L		Climb Device Adjusting Shaft	1	
F-2	06-129A-640L		Climb Device Adjusting Shaft Bushing(Front)	1	
F-3	15-103A-640L		Climb Device Adjusting Shaft Bushing(Rear)	1	
F-4	SC-0542-1230		Screw(11/64" n=40)	2	
F-5	02-013A-3710		Collar for F-1	1	
F-6	SC-A129-4515		Screw(1/4" n=40)	2	
F-7	15-007G-640L		Return Spring for F-1	1	
F-8	15-008P-640L		Holder for F-7	2	
F-9	15-109A-640L		Upper Feed Driving Eccentric Cam	1	
F-10	SC-A129-4515		Screw(1/4" n=40)	2	
F-11	15-111A-640L		Upper Feed Driving Eccentric Cam Rod	1	
F-12	15-012P-640L		Connecting Pin for F-11	1	
F-13	15-113A-640L		Connecting Link for F-11	1	
F-14	15-114A-640L		Upper Feed Driving Control Crank	1	
F-15	SC-0497-1230		Screw(3/16" n=28)	4	
F-16	15-016A-640L		Connecting Shaft for F-14	1	
F-17	15-017C-640L		C-Ring for F-16	1	
F-18	15-118A-640L		Upper Feed Driving Connecting Link	1	
F-19	SC-0542-1230		Screw(11/64" n=40)	2	
F-20	15-120A-640L		Upper Feed Driving Crank	1	
F-21	SC-0500-7400		Screw(15/64" n=28)	1	
F-22	15-022P-640L		Connecting Pin for F-20	1	
F-23	15-123A-640L		Upper Feed Driving Shaft	1	
F-24	15-124A-640L		Upper Feed Driving Shaft Front Bushing	1	
F-25	15-125A-640L		Upper Feed Driving Shaft Rear Bushing	1	
F-26	SC-0114-1230		Screw(15/64" n=28)	2	
F-27	15-127A-640L		Upper Feed Driving Rod	1	
F-28	15-128C-640L		Upper Feed Driving Rod Wick Holder	1	
F-29	SC-0365-3710		Screw(9/64" n=40)	1	
F-30	15-030S-640L		Hinge Screw for Upper Feed Driving Rod	1	
F-31	15-131A-640L		Upper Feed Connecting Link	2	
F-32	15-032P-640L		Upper Feed Connecting Link Pin	1	
F-33	05-014C-1230		E-Ring for F-32	2	
F-34	15-134A-640L		Upper Feed Lever Rock Crank	1	
F-35	15-035A-640L		Upper Feed Lever Rock Crank Shaft	1	
F-36	SC-0546-1230		Screw(15/64" n=28)	1	
F-37	15-137P-640L		Upper Feed Lever Connecting Pin	1	
F-38	15-038S-640L		Upper Feed Lever Driving Link Hinge Screw	1	
F-39	SN-0121-7400		Nut(15/64" n=28)	1	
F-40	15-140A-640L		Presser Bar Bracket Connecting Link	1	
F-41	15-030S-640L		Hinge Screw for F-40	1	
F-42	15-042P-640L		Pin for F-40	1	
F-43	05-020A-3400		Upper Feed Presser Foot	1	
F-44	15-144A-640L		Upper Feed Lever	1	
F-45	SC-0365-3710		Screw(9/64" n=40)	1	
F-46	15-046A-640L		Upper Feed Lever Level Driving Rod	1	





Upper Feed Mechanism



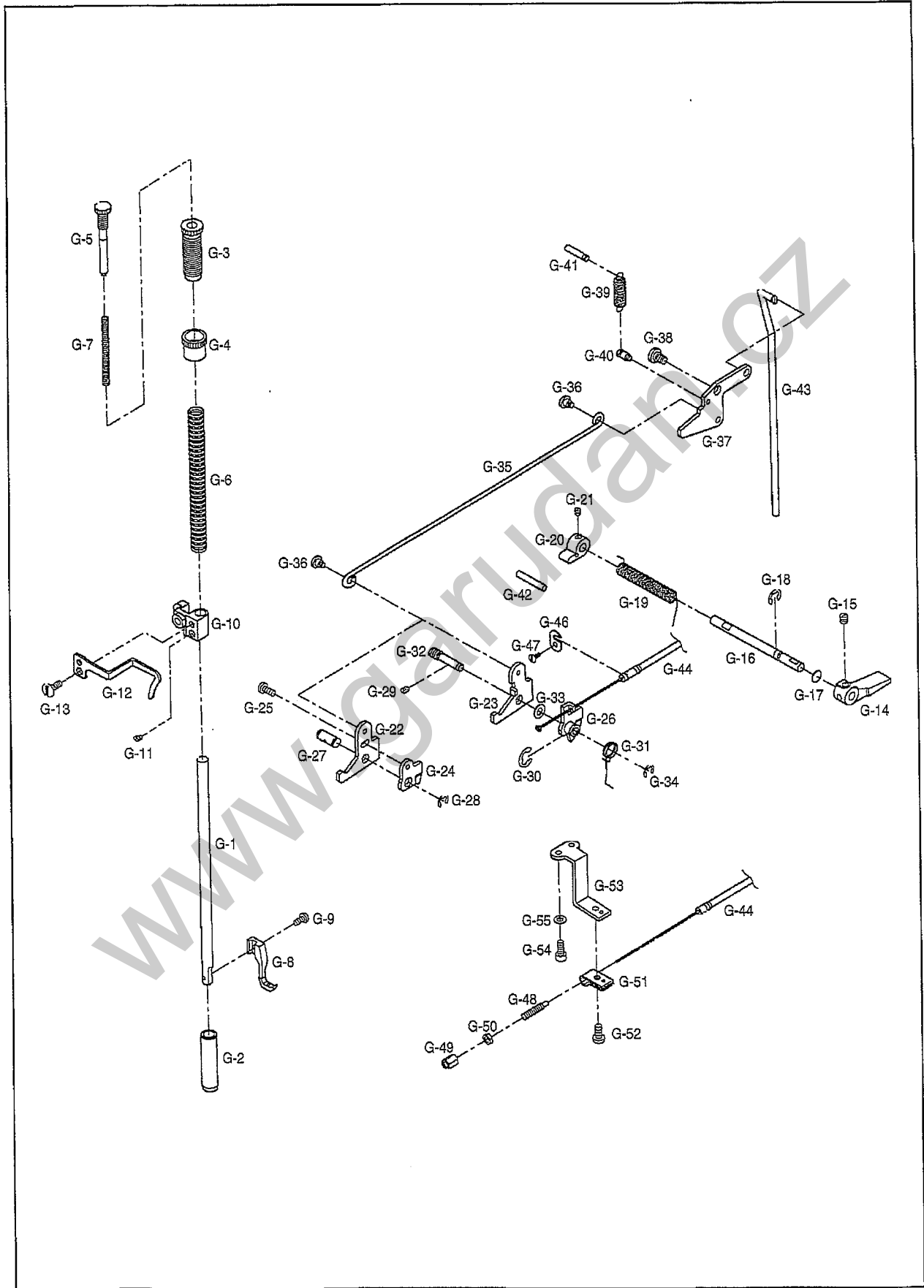


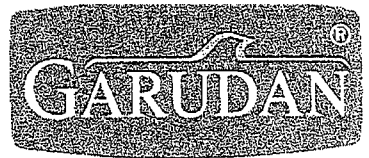
Ref. No.	Parts No.	Note	Name of Parts	Qty	Assembly No.
F-47	15-147A-640L		Upper Feed Lever Level Driving Shaft Crank(Rear)	1	
F-48	SC-0343-3800		Screw(15/64" n=28)	1	
F-49	15-049S-640L		Hinge Screw for Upper Feed Lever Level Driving Shaft Crank(Rear)	1	
F-50	SN-0107-1230		Nut(9/32" n=28)	1	
F-51	15-151A-640L		Upper Feed Lever Level Driving Shaft	1	
F-52	15-113A-3400		Upper Feed Lever Level Driving Shaft Front Bushing	1	
F-53	SC-0110-1230		Screw(15/64" n=28)	1	
F-54	15-154A-3400		Upper Feed Lever Level Driving Shaft Rear Bushing	1	
F-55	SC-0110-1230		Screw(15/64" n=28)	1	
F-56	10-042C-2700		O-Ring for F-51	1	
F-57	15-063C-640L		Climb Device Dial Ass'y(Top Cover)	1	
F-58	15-061A-640L		Climb Device Eccentric Cam(Top Cover)	1	
F-59	15-065C-640L		Climb Device Dial Ass'y(Arm)	1	
F-60	15-062A-640L		Climb Device Eccentric Cam(Arm)	1	
F-61	SC-0182-3710		Screw(11/64" n=40)	4	
F-62	15-070P-640L		Pin for F-57, F-59	2	
F-63	15-071G-640L		Spring for F-62	2	
F-64	15-060C-640L		Climb Device Dial Support Ring	2	
F-65	15-072A-640L		Upper Feed Lever Level Adjusting Crank	1	
F-66	15-005S-3400		Screw(15/64" n=28)	1	
F-67	15-001A-3400		Upper Feed Level Adjusting Shaft	1	
F-68	06-051W-7400		Washer for F-67	1	
F-69	SN-0116-3400		Nut(1/4" n=40)	1	
F-70	15-103A-3400		Block	1	
F-71	05-014C-1230		E-Ring for F-67	1	
F-72	15-179A-640L		Upper Feed Level Driving Link	1	
F-73	15-080A-640L		Hinge Shaft for F-72	1	
F-74	15-081S-640L		Set Screw for F-72	1	
F-75	SC-0317-2700		Screw(15/64" n=28)	1	
F-76	15-183A-640L		Upper Feed Level Driving Rod	1	
F-77	15-030S-640L		Hinge Screw for F-76	2	
F-78	15-085A-640L		Upper Feed Level Holder	1	
F-79	SC-0502-2302		Screw(9/64" n=40)	2	
F-80	15-032C-3400		Upper Feed Lever Support Plate	1	
F-81	15-088C-640L		Upper Feed Lever Support Plate Ring	2	
F-82	SC-0179-3710		Screw(11/64" n=40)	2	
F-83	15-090A-640L		Frame for Upper Feed Pressure Adjusting Screw	1	
F-84	SC-0174-1230		Screw(11/64" n=40)	2	
F-85	SC-0318-3400		Screw(9/32" n=28)	1	
F-86	SN-0107-1230		Nut(9/32" n=28)	1	
F-87	15-094G-640L		Upper Feed Pressure Adjusting Spring	1	
F-88	15-095C-640L		Upper Feed Pressure Adjusting Spring Bar	1	
F-89	05-009C-3400		Fulcrum for F-87	1	
F-90	15-097P-640L		Fulcrum for F-88	1	
F-91	15-098S-640L		Hinge Screw for F-90	1	
F-92	05-019M-3400		Needle Bar Safety Guide	1	





Presser Foot & Tension Release Mechanism



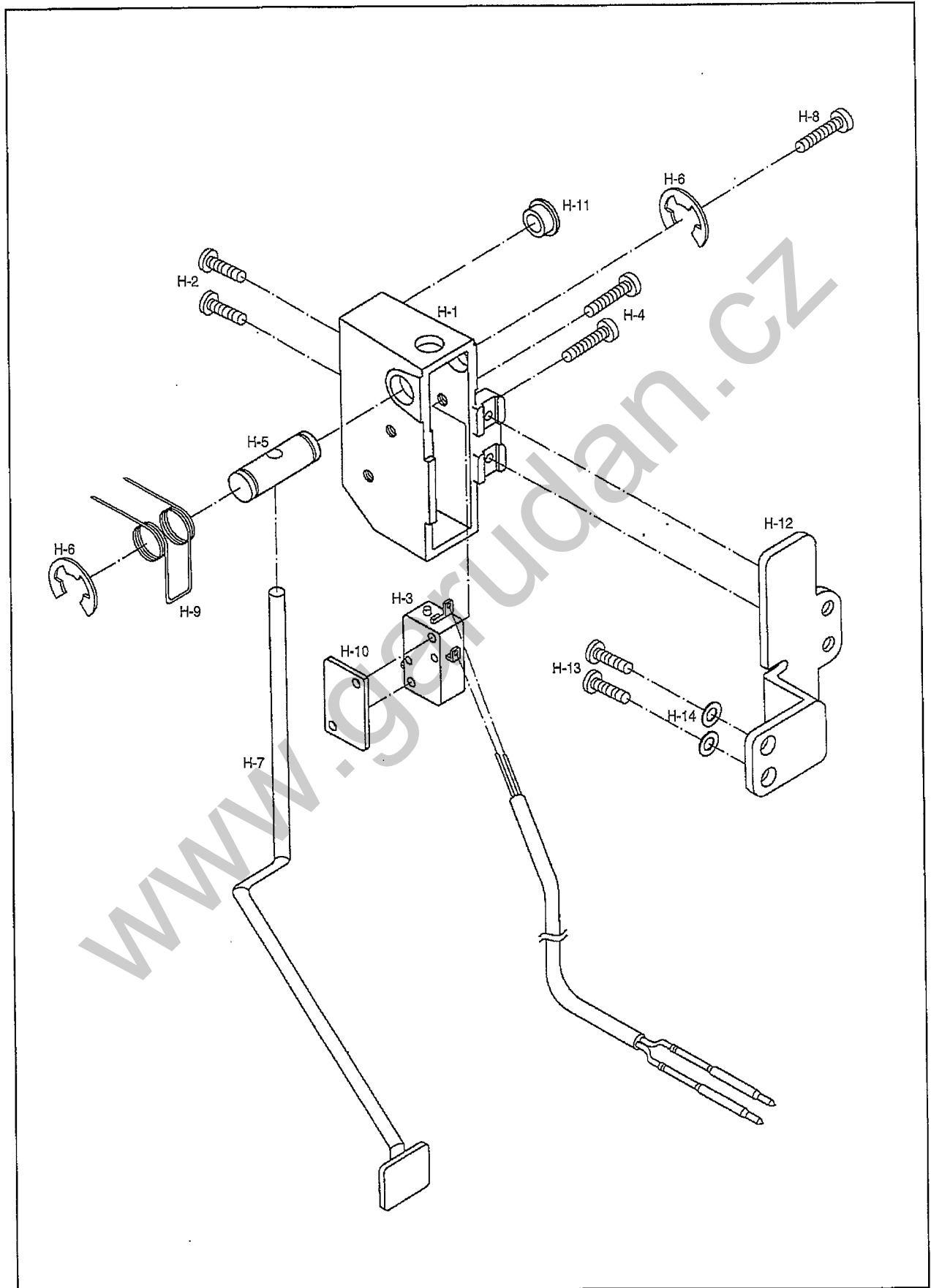


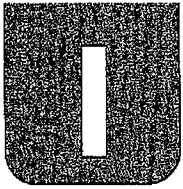
Ref. No.	Parts No.	Note	Name of Parts	Qty.	Assembly No.
G-1	05-101A-640L		Presser Bar	1	
G-2	05-102A-640L		Presser Bar Bushing	1	
G-3	05-026S-38LB		Pressure Adjusting Screw	1	
G-4	05-027C-38LB		Nut for Pressure Adjusting Screw	1	
G-5	05-025S-38LB		Sub Pressure Adjusting Screw	1	
G-6	05-004A-3400		Pressure Adjusting Spring	1	
G-7	05-029G-38LB		Sub Pressure Adjusting Spring	1	
G-8	05-021A-3400		Sub Press Foot	1	
G-9	SC-A156-4118		Screw(9/64" n=40)	1	
G-10	05-110A-640L		Presser Bar Bracket	1	
G-11	SC-0509-1230		Screw(15/64" n=28)	1	
G-12	05-012A-640L		Thread Guide Plate	1	
G-13	SC-0128-7400		Screw(11/64" n=40)	1	
G-14	43-001A-640L		Presser Bar Lifter	1	
G-15	SC-0164-2700		Screw(M5)	2	
G-16	43-004A-640L		Presser Bar Lifter Shaft	1	
G-17	02-016R-1230		O-Ring for G-16	1	
G-18	05-014C-1230		E-Ring for G-16	1	
G-19	43-006G-640L		Torsion Spring for G-14	1	
G-20	43-007A-640L		Presser Lifter Cam	1	
G-21	SC-A129-4515		Screw(1/4" n=40)	1	
G-22	43-009P-640L	BL	Presser Bar Lifting Link	1	
G-23	43-131A-64L7	BL-7	Presser Bar Lifting Link	1	
G-24	43-010P-640L	BL	Tension Release Plate	1	
G-25	SC-0175-1230	BL	Screw(11/64" n=40)	1	
G-26	40-122A-64L7	BL-7	Tension Release Plate Ass'y	1	
G-27	15-032P-640L	BL	Presser Bar Lifting Link Pin	1	
G-28	05-014C-1230	BL	E-Ring for G-27	1	
G-29	SC-0512-1230		Screw(11/64" n=40)	1	
G-30	40-002C-2350	BL-7	E-Ring for G-24-1(φ8)	1	
G-31	40-003G-2350	BL-7	Spring for G-26	1	
G-32	40-030C-64L7	BL-7	Shaft for G-26	1	
G-33	40-007W-1600	BL-7	Washer for G-32	1	
G-34	01-023C-3710	BL-7	E-Ring for G-32(φ5)	1	
G-35	43-013P-640L		Presser Bar Lifting Link Connecting Stick	1	
G-36	43-014S-640L		Hinge Screw for Presser Bar Connecting Stick	2	
G-37	43-015P-640L		Knee Lifting Link	1	
G-38	43-016S-640L		Hinge Screw for G-37	1	
G-39	43-017G-640L		Spring for G-37	1	
G-40	43-018S-640L		Connecting Screw for G-39	1	
G-41	43-019P-640L		Holder for G-39	1	
G-42	43-020P-640L		Stopper Pin for G-20	1	
G-43	43-121C-640L		Knee Lifting Bar Stick	1	
G-44	40-033A-64L7	BL-7	Tension Release Cable Ass'y	1	
G-46	40-135C-64L7	BL-7	Tension Release Cable Holder(U)	1	
G-47	SC-0502-2302	BL-7	Screw	1	
G-48	40-003A-2700	BL-7	Connecting Bolt for G-44	1	
G-49	40-004C-2700	BL-7	Nut A for G-44	1	
G-50	40-005C-2700	BL-7	Nut B for G-44	1	
G-51	40-140C-64L7	BL-7	Tension Release Cable Holder(L)	1	
G-52	SC-0543-2302	BL-7	Screw	1	
G-53	40-142A-64L7	BL-7	Bracket for G-51	1	
G-54	SC-0328-8670	BL-7	Screw for G-53	2	
G-55	01-017W-1600	BL-7	Washer for G-53	2	



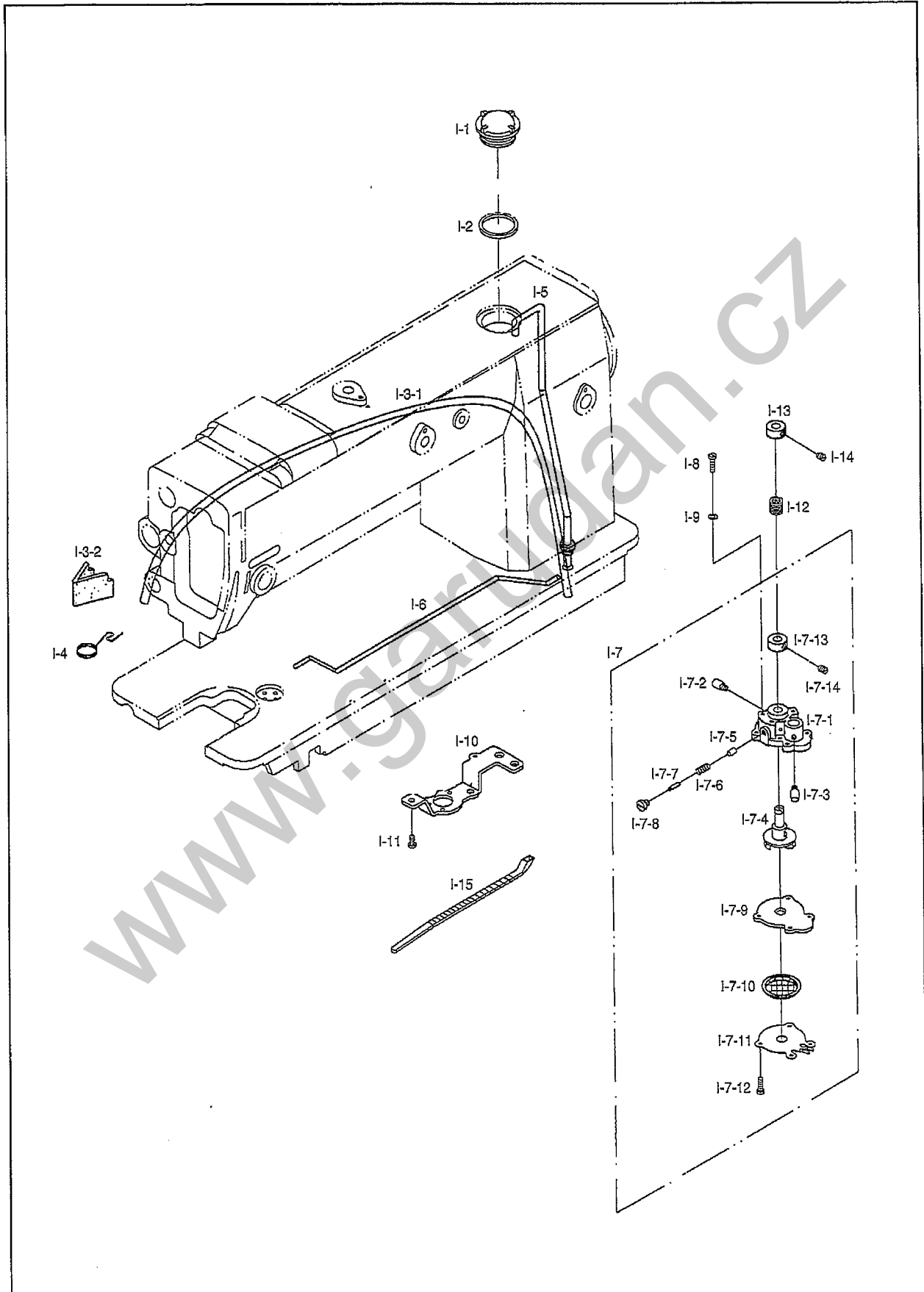


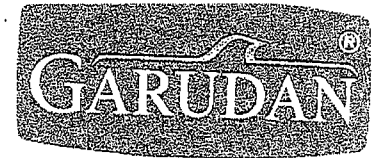
Reverse Button Mechanism





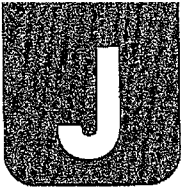
Lubrication



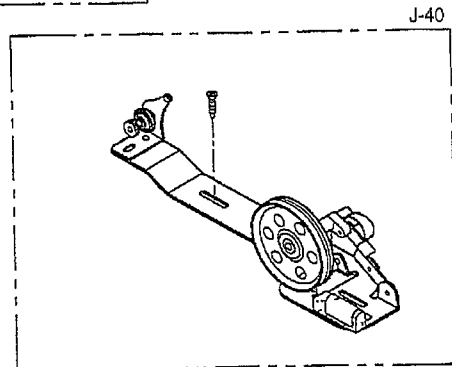
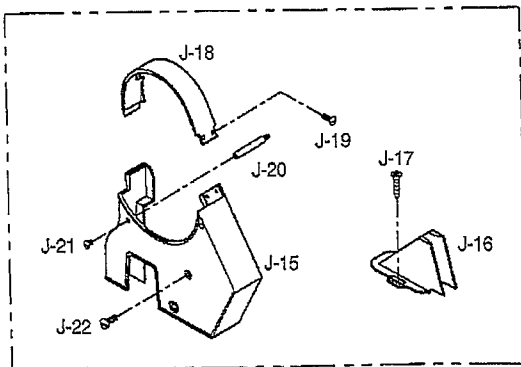
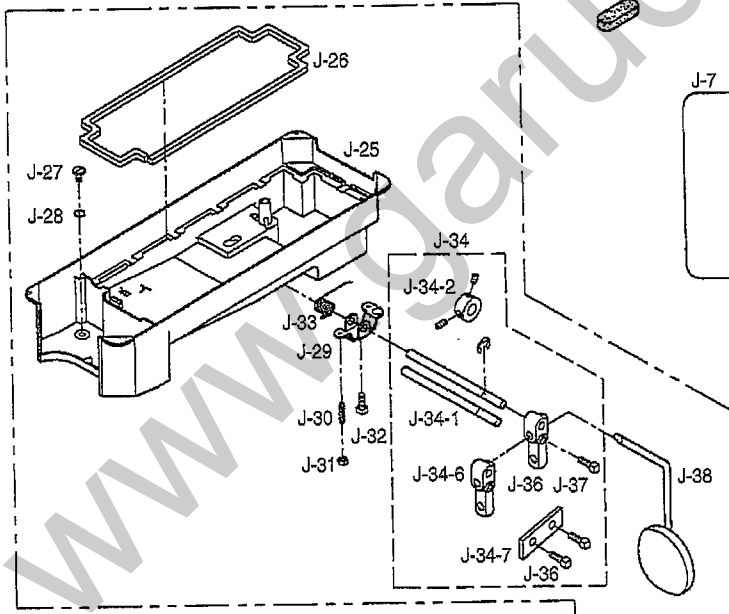
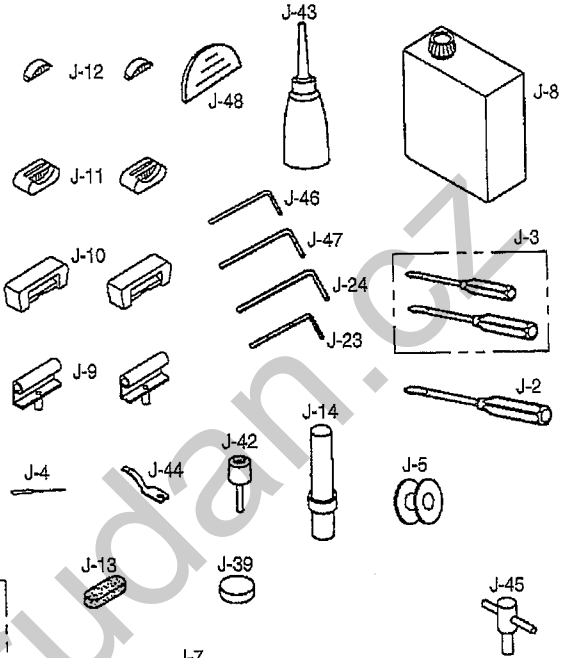
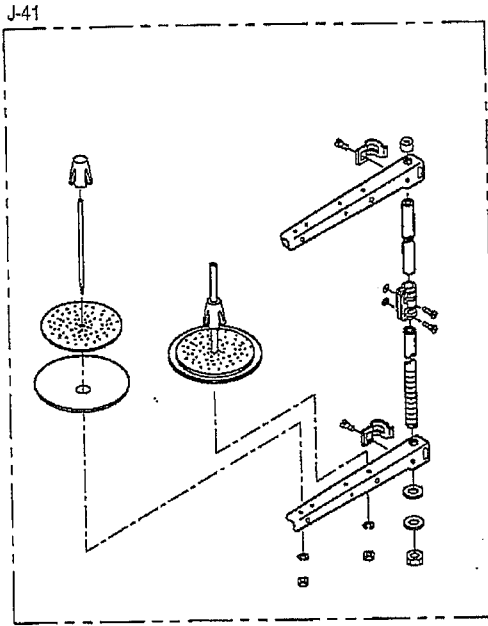


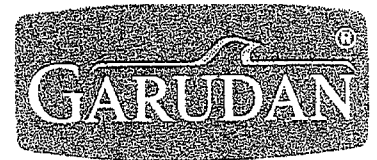
Ref. No.	Parts No.	Note	Name of Parts	Qty	Assembly No.
I-1	44-001C-2500	BL-7	Oil Gauge Window	1	
I-2	44-002R-2500	BL-7	O-Ring for I-1	1	
I-3-1	44-012C-1230	BL-7	Oil Return Tube	(1)	
I-3-2	44-046M-3500	BL-7	Oil Return Felter	(1)	
I-4	44-004G-640L	BL-7	Oil Return Felter Holder	1	
I-5	44-005A-640L	BL-7	Upper Shaft Oil Supply Pipe Ass'y	1	
I-6	44-006A-640L	BL-7	Lower Shaft Oil Supply Pipe	1	
I-7	44-150A-640L	BL-7	Oil Pump Ass'y	1	
I-7-1	44-012A-2350	BL-7	Oil Pump Body	(1)	
I-7-2	44-010C-1600	BL-7	Nipple for Oil Return Tube	(1)	
I-7-3	44-009C-1600	BL-7	Nipple for Lower Shaft Oil Supply	(1)	
I-7-4	44-026A-1230	BL-7	Impeller	(1)	
I-7-5	44-117A-1230	BL-7	Piston	(1)	
I-7-6	44-118G-1230	BL-7	Piston Spring	(1)	
I-7-7	44-120P-1230		Piston Spring Pin	(1)	
I-7-8	44-119S-1230		Piston Spring Pin Screw	(1)	
I-7-9	44-104C-2350		Oil Pump Cover	(1)	
I-7-10	44-024C-1230		Oil Pump Cap	(1)	
I-7-11	44-105C-235		Magnetic Holder	(1)	
I-7-12	44-120S-1230		Screw(9/64" n=40)	(4)	
I-7-13	44-119A-1230		Collar for Impeller Shaft	(1)	
I-7-14	SC-0512-1230		Screw(11/64" n=40)	(2)	
I-8	SC-0528-1230		Screw(9/64" n=40)	3	
I-9	44-011W-1600		Oil Pump Body Washer	3	
I-10	44-010A-640L		Oil Pump Bracket	1	
I-11	SC-0548-7400		Screw(3/16" n=28)	3	
I-12	44-016G-1230		Oil Pump Connecting Spring	1	
I-13	44-115A-1230		Oil Pump Connecting Collar	1	
I-14	SC-0542-1230		Screw(11/64" n=40)	2	
I-15	02-003A-2700		Nylon Clib	1	



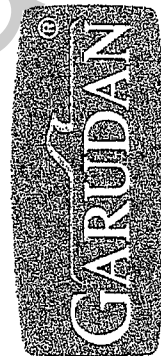


Accessory



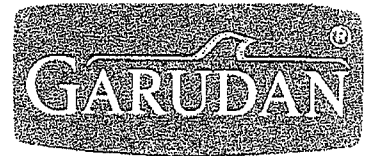


Ref. No.	Parts No.	Note	Name of Parts	Qty	Assembly No.
J-1	91-001C-1230		Accessory Bag	1	
J-2	91-002C-1230		Driver(Large)	1	
J-3	91-003C-1230		Driver(Middle, Small)	1	
J-4	006-00T-002		Needle(DP×17 #22)	5	
J-5	07-225A-64L7		Bobbin(Steel)	4	
J-7	91-008M-640L		Head Cover	1	
J-8	91-008C-1230		Oil Tank	1	
J-9	01-043C-1230		Head Hinge	2	
J-10	01-042R-1230		Head Hinge Rubber	2	
J-11	01-241R-1230		Head Support Rubber "A"	2	
J-12	01-213R-1230		Head Support Rubber "B"	2	
J-13	44-009M-3400		Upper Thread Oil Felt	1	
J-14	91-012C-1230		Head Rest	1	
J-15	60-001A-640L		Belt Cover "A" Ass'y	1	
J-16	60-002A-2500		Belt Cover "B"	1	
J-17	91-002S-3400		Set Screw for J-16	2	
J-18	60-004A-640L		Belt Cover "C"	1	
J-19	60-006S-640L		Belt Cover "A", "C" Connecting Screw	2	
J-20	60-005S-640L		Belt Cover Support Screw	1	
J-21	SC-0176-1230		Screw (11/64" n=40)	1	
J-22	SC-0183-2700		Screw (15/64" n=28)	2	
J-23	91-001C-2700		L-Wrench(2mm)	1	
J-24	91-004C-2700		L-Wrench(2.5mm)	1	
J-25	44-016A-64L7		Oil Pan	1	
J-26	44-003M-640L		Oil Pan Gasket	2	
J-27	SC-0347-1230		Screw(M8×1.25)	2	
J-28	44-005R-1230		O-Ring for J-27	2	
J-29	43-022A-640L		Control Body	1	
J-30	SC-0544-1230		Screw(3/16" n=28)	2	
J-31	SN-0119-1230		Nut(3/16" n=28)	2	
J-32	SC-0106-7400		Screw (15/64" n=28)	1	
J-33	43-008C-1600		Control Body Spring	1	
J-34	43-001A-64L7		Knee Lifting Pad Ass'y	1	
J-34-1	43-101A-64L7		Control Body Shaft	2	
J-34-2	43-103A-64L7		Collar	1	
J-34-3	SC-0110-1230		Screw	2	
J-34-5	43-009C-1600		E-Ring for J-34	2	
J-34-6	43-104A-64L7		Connection Crank	1	
J-34-7	43-102A-64L7		Connection Bar	1	
J-36	43-105S-64L7		Knee Support Shaft Connecting Joint	1	
J-37	43-106S-64L7		Screw(M6×1.0)	4	
J-38	43-001A-1600		Knee Support Rubber Ass'y	1	
J-39	44-010C-1230		Magnetic	1	
J-40	41-001A-1230		Bobbin Winder Ass'y	1	
J-41	91-007A-2302		Thread Stand Ass'y	1	
J-42	43-010A-1600		Knee Lifting Stick Support Cap	1	
J-43	91-011C-1230	BL-7	Oil Tank	1	
J-44	10-101A-64L7	BL-7	Fixed Mes	1	
J-45	91-105C-2700		Spanner	1	
J-46	91-002C-2700		L-Wrench(5mm)	1	
J-47	91-0031-2700		L-Wrench(3mm)	1	
J-48	01-012A-3400		Needle Plate	1	



No.	Ref. No.	Parts No.	Name of Parts	Contents	Date	Old Parts No.	Remarks
1	D-92	15-013A-3400	Bushing(R) for D-58.83	Additional Parts	98.2		Add
2	D-94	SC-0507-1230	Screw(15/64" n=28)	Additional Parts	98.2		Add
3	D-95	SC-0110-1230	Screw(15/64" n=28)	Additional Parts	98.2		Add
4	J-21	SC-0176-1230	Screw(11/64" n=40)	Substitution	98.2	60-005S-640L	
5	A-17	01-031C-146L	Face Plate Thread Guide	Substitution	98.9	01-031C-1230	4/4
6	B-27	08-001A-3400	Thread Take Up Lever	Substitution	98.9	08-002A-146L	
7	D-71	06-023S-3400	Screw(3/16" n=28)	Substitution	98.11	SC-0194-4118	
8	I-7	44-150A-640L	Oil Pump Ass'y	Substitution	98.11	44-150A-2350	
9	A-3	01-038M-2500	Brand Mark(Face Plate)	Substitution	98.11	01-029M-1230	
10	F-66	15-005S-3400	Screw	Substitution	98.11	SC-0106-4111	
11	F-15	SC-0497-1230	Screw(3/16" n=28)	Substitution	98.11	SC-0177-4125	
12	H-43	91-011C-1230	Oil Tank	Additional Parts	98.11		
13	A-6	SC-0498-3710	Screw(11/64" n=40)	Substitution	99.3	SC-0178-4118	99. 1/4
14	A-8	SC-0543-2302	Screw(11/64" n=40)	Substitution	99.3	SC-0179-4125	
15	A-29	SC-0174-1230	Screw(11/64" n=40)	Substitution	99.3	SC-0179-4125	
16	A-39	SC-0498-3710	Screw(11/64" n=40)	Substitution	99.3	SC-0179-4125	
17	D-10	SC-0317-2700	Screw(15/64" n=28)	Substitution	99.3	SC-0507-4515	
18	D-19	SC-0184-1600	Screw(3/16" n=28)	Substitution	99.3	SC-0192-4122	
19	D-20	SC-0174-1230	Screw(11/64" n=40)	Substitution	99.3	SC-0175-4522	
20	D-43	SC-0507-1230	Screw(15/64" n=28)	Substitution	99.3	SC-0509-4515	
21	D-45	SC-A129-4515	Screw(1/4" n=40)	Substitution	99.3	SC-0504-4515	
22	D-62	SC-0186-1230	Screw(3/16" n=32)	Substitution	99.3	SC-0185-4124	
23	D-63	SC-0185-1230	Screw(3/16" n=32)	Substitution	99.3	SC-0186-4118	
24	F-10	SC-A129-4515	Screw(1/4" n=40)	Substitution	99.3	SC-0504-4515	
25	F-26	SC-0114-1230	Screw(15/64" n=28)	Substitution	99.3	SC-0509-4515	
26	F-29	SC-0365-3710	Screw(9/64" n=40)	Substitution	99.3	SC-0160-4125	
27	F-53	SC-0110-1230	Screw(15/64" n=28)	Substitution	99.3	SC-0509-4515	
28	F-61	SC-0182-3710	Screw(11/64" n=40)	Substitution	99.3	SC-0104-4517	
29	F-75	SC-0317-2700	Screw(15/64" n=28)	Substitution	99.3	SC-0509-4515	
30	F-79	SC-0365-3710	Screw(9/64" n=40)	Substitution	99.3	SC-0502-4125	
31	J-34	43-001A-64L7	Knee Lifting Pad Ass'y	Change of Blue Point	00.6		00. 2/4
32	J-34-1	43-102A-64L7	Control Body Shaft	Change of Blue Point	00.6		
33	J-34-2	43-103A-64L7	Collar	Change of Blue Point	00.6		
34	J-34-3	SC-0110-1230	Screw	Substitution	00.6		
35	J-34-5	43-009C-1600	E-Ring for J-34	Substitution	00.6		
36	J-34-6	43-104A-64L7	Connection Crank	Change of Blue Point	00.6		
37	J-34-7	43-103A-64L7	Connection Bar	Change of Blue Point	00.6		
38	J-36	43-105S-64L7	Stud for J-34-7	Change of Blue Point	00.6		
39	J-37	43-106S-64L7	Screw for J-34-6	Change of Blue Point	00.6		
40	J-25	44-016A-64L7	Oil Pan	Change of Blue Point	00.6	44-016A-640L	

NOTE)



Changed Parts List

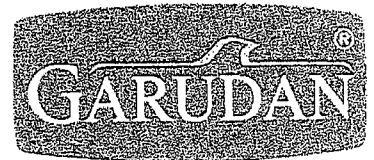
No.	Ref. No.	Parts No.	Name of Parts	Contents	Date	Old Parts No.	Remarks
41	A-64	01-009P-2350	Cable Holder	Substitution	00.8	44-014M-7507	
42	J-48	01-012A-3400	Needle Plate	Additional Parts	00.7		
43	J-46	91-002C-2700	L-Wrench(5mm)	Additional Parts	00.7		
44	J-47	91-0031-2700	L-Wrench(3mm)	Additional Parts	00.7		
45	F-79	SC-0502-2302	Screw(9/64" n = 40)	Substitution	00.8	SC-0365-4118	
46	F-70	15-103A-3400	Block	Substitution	01.01	15-003A-3400	00. 4/4
47	D-39	06-135A-640L	Slide Block	Substitution	01.01	06-035A-640L	00. 4/4
48	D-77	06-127A-3400	Sliding Block	Substitution	01.01	06-027A-3400	00. 4/4
49	A-37	06-0001-6400	B/T Solenoid Ass'y	Substitution	01.03	06-089A-64L7	
50	G-31	40-003G-2350	Spring For G-26	Substitution	01.03	40-033G-2350	
51	J-12	01-213R-1230	Head Support Rubber "B"	Substitution	01.03	01-013R-1230	
52	J-11	01-241R-1230	Head Support Rubber "A"	Substitution	01.03	01-041R-1230	
53	A-6	SC-0498-3710	Screw(11/64" n = 40)	Substitution	02.2	SC-0498-4122	
54	A-8	SC-0543-2302	Screw(11/64" n = 40)	Substitution	02.2	SC-0543-4525	
55	A-14	SC-0542-1230	Screw(11/64" n = 40)	Substitution	02.2	SC-0542-4515	
56	A-16	SC-0120-1230	Screw(9/64" n = 40)	Substitution	02.2	SC-0120-2118	
57	A-18	SC-0120-1230	Screw(9/64" n = 40)	Substitution	02.2	SC-0120-2118	
58	A-20	SC-0120-1230	Screw(9/64" n = 40)	Substitution	02.2	SC-0120-2118	
59	A-29	SC-0174-1230	Screw(11/64" n = 40)	Substitution	02.2	SC-0174-4122	
60	A-38	SC-0175-1230	Screw(11/64" n = 40)	Substitution	02.2	SC-0175-4522	
61	A-39	SC-498-3710	Screw(11/64" n = 40)	Substitution	02.2	SC-498-4122	
62	A-63	SC-0509-1230	Screw(15/64" n = 28)	Substitution	02.2	SC-0509-4515	
63	A-65	SC-0543-2302	Screw(11/64" n = 40)	Substitution	02.2	SC-0543-4525	
64	B-2	02-115C-2500	Oil Adjusting Pin for B-1	Substitution	02.2	02-115C-2350	
65	B-8	02-108A-640L	Link Cam	Substitution	02.2	02-008A-640L	
66	B-9	SC-0123-1230	Screw(11/64" n = 40)	Substitution	02.2	SC-0123-4422	
67	B-11	SC-0148-2302	Screw(9/32" n = 28)	Substitution	02.2	SC-0148-4515	
68	B-12	02-112A-640L	Upper Shaft Front Bushing	Substitution	02.2	02-012A-640L	
69	B-13	02-113A-640L	Balance Cam	Substitution	02.2	02-013A-640L	
70	B-14	SC-0504-1230	Screw(1/4" n = 40)	Substitution	02.2	SC-0504-4515	
71	B-16	SC-0110-1230	Screw(15/64" n = 28)	Substitution	02.2	SC-0110-4115	
72	B-17	02-121A-1230	Upper Shaft Collar	Substitution	02.2	02-021A-1230	
73	B-21	02-106A-257B	Upper Shaft Rear Bushing	Substitution	02.2	02-006A-257B	
74	B-25	SC-0150-2500	Screw(15/64" n = 28)	Substitution	02.2	SC-0150-4122	
75	B-26	SC-0188-1230	Screw(5/16" n = 24)	Substitution	02.2	SC-0188-4124	
76	B-29	SC-0507-1230	Screw(15/64" n = 28)	Substitution	02.2	SC-0507-4515	
77	B-32	04-108A-1230	Needle Bar Upper Bushing	Substitution	02.2	04-008A-1230	
78	B-33	04-103A-640L	Needle Bar Lower Bushing	Substitution	02.2	04-003A-640L	
79	B-37	11-0000-2507	Synchronizer Ass'y	Substitution	02.2	12-0000-2507	
80	B-27	08-101A-3400	Thread Take-Up Lever Assembly	Substitution	02.2	08-001A-3400	

NOTE)

Changed Parts List

No	Ref. No.	Parts No.	Name of Parts	Contents	Date	Old Parts No.	Remarks
81	C-1	03-101A-640L	Upright Shaft	Substitution	02.2	03-001A-640L	
82	C-4	03-102A-1230	Upright Shaft Upper Bushing	Substitution	02.2	03-002A-1230	
83	C-5	SC-0507-1230	Screw(15/64" n=28)	Substitution	02.2	SC-0507-4515	
84	C-6	03-103A-1230	Upright Shaft Lower Bushing	Substitution	02.2	03-001A-2350	
85	C-7	SC-0507-1230	Screw(15/64" n=28)	Substitution	02.2	SC-0507-4515	
86	C-10	07-101A-640L	Lower Shaft	Substitution	02.2	07-001A-640L	
87	C-15	07-110A-1230	Lower Shaft Rear Bushing	Substitution	02.2	07-010A-1230	
88	C-16	SC-0507-1230	Screw(15/64" n=28)	Substitution	02.2	SC-0507-4515	
89	C-17	07-103A-1600	Lower Shaft Middle Bushing	Substitution	02.2	07-003A-1600	
90	C-19	07-121A-64L7	Lower Shaft Front Bushing	Substitution	02.2	07-021A-64L7	
91	C-20	SC-0114-1230	Screw(15/64" n=28)	Substitution	02.2	SC-0114-4515	
92	C-21	SC-0361-1230	Screw(3/16" n=32)	Substitution	02.2	SC-0361-4122	
93	C-24	SC-0104-5607	Screw(11/64" n=40)	Substitution	02.2	SC-0104-4517	
94	C-27	07-225A-64L7	Bobbin	Substitution	02.2	07-008A-164L	
95	C-32	SC-0174-1230	Screw(11/64" n=40)	Substitution	02.2	SC-0174-4122	
96	C-28		Bobbin	Deleted Parts	02.2	02-025A-64L7	
97	D-4	SC-0193-1230	Screw(3/16" n=28)	Substitution	02.2	SC-0193-4122	
98	D-9	06-109A-640L	Feed Adjusting Shaft	Substitution	02.2	06-009A-640L	
99	D-10	SC-0317-2700	Screw(15/64" n=28)	Substitution	02.2	SC-0317-4517	
100	D-14	SC-0175-1230	Screw(11/64" n=40)	Substitution	02.2	SC-0175-4522	
101	D-15	06-116A-640L	Reverse Feed Control Lever Shaft	Substitution	02.2	06-016A-640L	
102	D-19	SC-0184-1600	Screw(3/16" n=40)	Substitution	02.2	SC-0184-4118	
103	D-20	SC-0174-1230	Screw(11/64" n=40)	Substitution	02.2	SC-0174-4122	
104	D-23	SN-0101-1600	Nut(11/64" n=40)	Substitution	02.2	SN-0101-4000	
105	D-24	06-124A-640L	Connecting Rod for Feed Regulator Shaft	Substitution	02.2	06-024A-640L	
106	D-25	06-125P-640L	Pin for D-24	Substitution	02.2	06-025P-640L	
107	D-28	06-194L-64L7	B/T Solenoid Crank	Substitution	02.2	06-094L-64L7	
108	D-32	06-128A-640L	Feed Regulator Spacer	Substitution	02.2	06-028A-640L	
109	D-33	06-129A-640L	Feed Regulator Shaft Bushing	Substitution	02.2	06-029A-640L	
110	D-34	SC-0114-1230	Screw(15/64" n=28)	Substitution	02.2	SC-0114-4515	
111	D-35	02-121A-1230	Stopper Collar For D-32	Substitution	02.2	02-021A-1230	
112	D-38	SC-0175-1230	Screw(11/64" n=40)	Substitution	02.2	SC-0175-4522	
113	D-41	06-137P-640L	Reverse Shaft for D-32	Substitution	02.2	06-037P-640L	
114	D-43	SC-0507-1230	Screw(15/64" n=28)	Substitution	02.2	SC-0507-4515	
115	D-44	06-140A-640L	Feed Cam	Substitution	02.2	06-040A-640L	
116	D-47	06-143A-640L	Connecting Rod for D-44	Substitution	02.2	06-043A-640L	
117	D-49	SC-0128-7400	Screw(11/64" n=40)	Substitution	02.2	SC-0128-4118	
118	D-52	SC-0122-1230	Screw(15/64" n=28)	Substitution	02.2	SC-0122-4522	
119	D-53	06-149A-640L	Lever Feed Shaft Crank(Rear)	Substitution	02.2	06-049A-640L	
120	D-54	SC-0343-3800	Screw(15/64" n=28)	Substitution	02.2	SC-0343-4122	

NOTE)



Changed Parts List

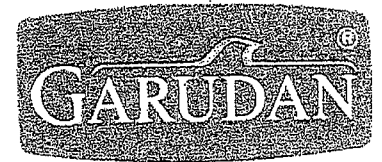
No.	Ref. No.	Parts No.	Name of Parts	Contents	Date	Old Parts No.	Remarks
121	D-55	06-151A-640L	Crank Rod	Substitution	02.2	06-051A-640L	
122	D-57	SC-0190-2700	Screw(3/16" n=32)	Substitution	02.2	SC-0190-4111	
123	D-58	06-154A-640L	Feed Lifting Shaft Crank(Rear)	Substitution	02.2	06-054A-640L	
124	D-59	SC-0190-2700	Screw(3/16" n=32)	Substitution	02.2	SC-0190-4111	
125	D-62	SC-0186-1230	Screw(3/16" n=32)	Substitution	02.2	SC-0186-4118	
126	D-63	SC-0185-1230	Screw(3/16" n=32)	Substitution	02.2	SC-0185-4124	
127	D-64	06-160A-640L	Level Feed Shaft	Substitution	02.2	06-060A-640L	
128	D-65	06-119A-3400	Level Feed Shaft Bushing	Substitution	02.2	06-019A-3400	
129	D-66	SC-0507-1230	Screw(15/64" n=28)	Substitution	02.2	SC-0507-4515	
130	D-70	06-166A-640L	Feed Bar Crank	Substitution	02.2	06-066A-640L	
131	D-72	06-168A-640L	Feed Bar Shaft	Substitution	02.2	06-068A-640L	
132	D-74	SC-0175-1230	Screw(11/64" n=40)	Substitution	02.2	SC-0175-4522	
133	D-75	06-125A-3400	Feed Bar	Substitution	02.2	06-025A-3400	
134	D-78	SC-0128-7400	Screw(11/64" n=40)	Substitution	02.2	SC-0128-4118	
135	D-80	SC-0130-1230	Screw(1/8" n=44)	Substitution	02.2	SC-0130-4122	
136	D-81	06-174A-640L	Feed Lifting Shaft Crank(Front)	Substitution	02.2	06-074A-640L	
137	D-82	SC-0497-1230	Screw(3/16" n=28)	Substitution	02.2	SC-0497-4122	
138	D-84	SC-0507-1230	Screw(15/64" n=28)	Substitution	02.2	SC-0507-4515	
139	D-86	SC-0129-7400	Screw(1/4" n=40)	Substitution	02.2	SC-0129-4515	
140	D-89	06-182A-640L	Feed Lifting Shaft	Substitution	02.2	06-082A-640L	
141	D-92	15-113A-3400	Bushing (R) for D-64, D-89	Substitution	02.2	15-013A-3400	
142	D-94	SC-0507-1230	Screw(15/64" n=28)	Substitution	02.2	SC-0507-4515	
143	D-95	SC-0110-1230	Screw(15/64" n=28)	Substitution	02.2	SC-0110-4115	
144	E-2	SC-0145-3800	Screw(9/64" n=40)	Substitution	02.2	SC-1045-4118	
145	E-3	SC-A301-4119	Screw(1/8" n=40)	Substitution	02.2	SC-0137-4222	
146	E-4	SN-0103-2700	Nut(1/8" n=40)	Substitution	02.2	SN-0103-4000	
147	E-6	SC-0175-1230	Screw(11/64" n=40)	Substitution	02.2	SC-0175-4522	
148	E-10	10-110A-25BL	Thread Trimming Holder	Substitution	02.2	10-010A-25BL	
149	E-13	10-113C-64L7	Thread Trimming Lever Connecting Link	Substitution	02.2	10-013C-64L7	
150	E-15	SN-0115-7400	Nut for E-14	Substitution	02.2	SN-0115-4000	
151	E-16	10-116A-64L7	Thread Trimming Lever	Substitution	02.2	10-016A-64L7	
152	E-18	10-118A-64L7	Thread Trimming Shaft	Substitution	02.2	10-018A-64L7	
153	E-19	10-116A-2700	Thread Trimming Shaft Bushing	Substitution	02.2	10-019A-64L7	
154	E-20	SC-0352-7400	Screw(3/16" n=28)	Substitution	02.2	SC-0352-4117	
155	E-23	10-123A-64L7	Slide Arm	Substitution	02.2	10-023A-64L7	
156	E-26	SN-0115-7400	Nut(3/16" n=32)	Substitution	02.2	SN-0115-4000	
157	E-27	10-127A-64L7	Cam Follower Crank	Substitution	02.2	10-027A-64L7	
158	E-28	SC-0169-1600	Screw(15/64" n=28)	Substitution	02.2	SC-0169-4122	
159	E-31	SC-0317-2700	Screw(15/64" n=28)	Substitution	02.2	SC-0317-4517	
160	E-32	06-220A-2350	Collar for E-18	Substitution	02.2	06-020A-2350	

NOTE)

Changed Parts List

No.	Ref. No.	Parts No.	Name of Parts	Contents	Date	Old Parts No.	Remarks
161	E-34	10-118A-2700	Stopper	Substitution	02.2	10-018A-64L7	
162	E-35	SC-0190-2700	Screw(3/16" n=32)	Substitution	02.2	SC-0190-4111	
163	E-42	SN-0105-3400	Nut(15/64" n=28)	Substitution	02.2	SN-0105-4000	
164	E-44	SN-0105-3400	Nut(15/64" n=28)	Substitution	02.2	SN-0105-4000	
165	E-46	SN-0115-7400	Nut(3/16" n=32)	Substitution	02.2	SN-0115-4000	
166	E-53	SC-0496-3710	Screw(11/64" n=40)	Substitution	02.2	SC-0496-4122	
167	E-54	SC-0512-1230	Screw(11/64" n=40)	Substitution	02.2	SC-0512-4515	
168	E-59	SC-0500-7400	Screw(15/64" n=28)	Substitution	02.2	SC-0500-4125	
169	E-9	SC-A154-4114	Screw(11/64" n=40)	Substitution	02.2	SC-0154-4114	
170	E-1	10-101A-64L7	Fixed Mes	Substitution	02.2	10-001A-64L7	
171	E-8	10-108A-64L7	Rotary Mes	Substitution	02.2	10-008A-64L7	
172	F-1	15-101A-640L	Climb Device Adjusting Shaft	Substitution	02.2	15-001A-640L	
173	F-3	15-103A-640L	Climb Device Adjusting Shaft Bushing(Rear)	Substitution	02.2	15-003A-640L	
174	F-4	SC-0542-1230	Screw(11/64" n=40)	Substitution	02.2	SC-0542-4515	
175	F-9	15-109A-640L	Upper Feed Driving Eccentric Cam	Substitution	02.2	15-009A-640L	
176	F-11	15-111A-640L	Upper Feed Driving Eccentric Cam Rod	Substitution	02.2	15-011A-640L	
177	F-13	15-113A-640L	Connecting Link for F-11	Substitution	02.2	15-013A-640L	
178	F-14	15-114A-640L	Upper Feed Driving Control Crank	Substitution	02.2	15-014A-640L	
179	F-15	SC-0497-1230	Screw(3/16" n=28)	Substitution	02.2	SC-0497-4122	
180	F-18	15-118A-640L	Upper Feed Driving Connecting Link	Substitution	02.2	15-018A-640L	
181	F-19	SC-0542-1230	Screw(11/64" n=40)	Substitution	02.2	SC-0542-4515	
182	F-20	15-120A-640L	Upper Feed Driving Crank	Substitution	02.2	15-020A-640L	
183	F-21	SC-0500-7400	Screw(15/64" n=28)	Substitution	02.2	SC-0500-4125	
184	F-23	15-123A-640L	Upper Feed Driving Shaft	Substitution	02.2	15-023A-640L	
185	F-24	15-124A-640L	Upper Feed Driving Shaft Front Bushing	Substitution	02.2	15-024A-640L	
186	F-25	15-125A-640L	Upper Feed Driving Shaft Rear Bushing	Substitution	02.2	15-025A-640L	
187	F-26	SC-0114-1230	Screw(15/64" n=28)	Substitution	02.2	SC-0114-4515	
188	F-27	15-127A-640L	Upper Feed Driving Rod	Substitution	02.2	15-027A-640L	
189	F-29	SC-0365-3710	Screw(9/64" n=40)	Substitution	02.2	SC-0365-4118	
190	F-31	15-131A-640L	Upper Feed Connecting Link	Substitution	02.2	15-031A-640L	
191	F-34	15-134L-640L	Upper Feed Lever Rock Crank	Substitution	02.2	15-034L-640L	
192	F-36	SC-0546-1230	Screw(15/64" n=28)	Substitution	02.2	SC-0546-4518	
193	F-37	15-137P-640L	Upper Feed Lever Connecting Pin	Substitution	02.2	15-037P-640L	
194	F-39	SN-0121-7400	Nut(15/64" n=28)	Substitution	02.2	SN-0121-4000	
195	F-40	15-140A-640L	Presser Bar Bracket Connecting Link	Substitution	02.2	15-040A-640L	
196	F-44	15-144A-640L	Upper Feed Lever	Substitution	02.2	15-044A-640L	
197	F-45	SC-0365-3710	Screw(9/64" n=40)	Substitution	02.2	SC-0365-4118	
198	F-47	15-147A-640L	Upper Feed Lever Level Driving Shaft Crank(Rear)	Substitution	02.2	15-047A-640L	
199	F-48	SC-0343-3800	Screw(15/64" n=28)	Substitution	02.2	SC-0343-4122	
200	F-50	SN-0107-1230	Nut(9/32" n=28)	Substitution	02.2	SN-0107-4000	

NOTE)



Changed Parts List

No.	Ref. No.	Parts No.	Name of Parts	Contents	Date	Old Parts No.	Remarks
201	F-51	15-151A-640L	Upper Feed Lever Level Driving Shaft	Substitution	02.2	15-051A-640L	
202	F-53	SC-0110-1230	Screw(15/64" n=28)	Substitution	02.2	SC-0110-4115	
203	F-54	15-113A-3400	Upper Feed Lever Level Driving Shaft Rear Bushing	Substitution	02.2	15-054A-640L	
204	F-55	SC-0110-1230	Screw(15/64" n=28)	Substitution	02.2	SC-0110-4115	
205	F-61	SC-0182-3710	Screw(11/64" n=40)	Substitution	02.2	SC-0182-4122	
206	F-69	SN-0116-3400	Nut(1/4" n=40)	Substitution	02.2	SN-0116-4000	
207	F-72	15-179A-640L	Upper Feed Lever Driving Link	Substitution	02.2	15-079A-640L	
208	F-75	SC-0317-2700	Screw(15/64" n=28)	Substitution	02.2	SC-0317-4517	
209	F-76	15-183A-640L	Upper Feed Lever Driving Rod	Substitution	02.2	15-083A-640L	
210	F-79	SC-0502-2302	Screw(9/64" n=40)	Substitution	02.2	SC-0502-4125	
211	F-82	SC-0179-3710	Screw(11/64" n=40)	Substitution	02.2	SC-0179-4125	
212	F-84	SC-0174-1230	Screw(11/64" n=40)	Substitution	02.2	SC-0174-4122	
213	F-85	SC-0318-3400	Screw(9/32" n=28)	Substitution	02.2	SC-0318-4122	
214	F-86	SN-0107-1230	Nut(9/32" n=28)	Substitution	02.2	SN-0107-4000	
215	G-1	05-101A-640L	Presser Bar	Substitution	02.2	05-001A-640L	
216	G-2	05-102A-640L	Presser Bar Bushing	Substitution	02.2	05-002A-640L	
217	G-10	05-110A-640L	Presser Bar Bracket	Substitution	02.2	05-010A-640L	
218	G-11	SC-0509-1230	Screw(15/64" n=28)	Substitution	02.2	SC-0509-4515	
219	G-13	SC-0128-7400	Screw(11/64" n=40)	Substitution	02.2	SC-0128-4118	
220	G-15	SC-0164-2700	Screw(M5)	Substitution	02.2	SC-0164-4517	
221	G-25	SC-0175-1230	Screw(11/64" n=40)	Substitution	02.2	SC-0175-4522	
222	G-29	SC-0512-1230	Screw(11/64" n=40)	Substitution	02.2	SC-0512-4515	
223	G-47	SC-0502-2302	Screw	Substitution	02.2	SC-0502-4125	
224	G-52	SC-0543-2302	Screw	Substitution	02.2	SC-0543-4525	
225	G-54	SC-0328-8670	Screw for G-53	Substitution	02.2	SC-0328-4413	
226	H-2	SC-0173-1230	Screw(3/16" n=32)	Substitution	02.2	SC-0173-4118	
227	H-13	SC-0151-5050	Screw(15/64" n=28)	Substitution	02.2	SC-0151-4118	
228	I-7-12	SC-0120-1230	Screw(9/64" n=40)	Substitution	02.2	SC-0120-2118	
229	I-7-13	44-119A-1230	Collar for Impeller Shaft	Substitution	02.2	44-019A-1230	
230	I-7-14	SC-0512-1230	Screw(11/64" n=40)	Substitution	02.2	SC-0512-4515	
231	I-8	SC-0528-1230	Screw(9/64" n=40)	Substitution	02.2	SC-0528-4125	
232	I-11	SC-0548-7400	Screw(3/16" n=28)	Substitution	02.2	SC-0548-4122	
233	I-13	44-115A-1230	Oil Pump Connecting Collar	Substitution	02.2	44-015A-1230	
234	I-14	SC-0542-1230	Screw(11/64" n=40)	Substitution	02.2	SC-0542-4515	
235	J-21	SC-0176-1230	Screw(11/64" n=40)	Substitution	02.2	SC-0176-4118	
236	J-22	SC-0183-2700	Screw(15/64" n=28)	Substitution	02.2	SC-0183-4122	
237	J-27	SC-0347-1230	Screw(M8 x 1.25)	Substitution	02.2	SC-0347-4122	
238	J-30	SC-0544-1230	Screw(3/16" n=28)	Substitution	02.2	SC-0544-4515	
239	J-31	SN-0119-1230	Nut(3/16" n=28)	Substitution	02.2	SN-0119-4000	
240	J-32	SC-0106-7400	Screw(15/64" n=28)	Substitution	02.2	SC-0106-4111	

NOTE)

Changed Parts List

No.	Ref. No.	Parts No.	Name of Parts	Contents	Date	Old Parts No.	Remarks
241	J-34-3	SC-0110-1230	Screw	Substitution	02.2	SC-0110-4115	
242	J-25	44-016A-64L7	Oil Pan	Substitution	02.2	44-016A-640L	
243	J-44	10-101A-64L7	Fixed Mes	Substitution	02.2	10-001A-64L7	
244	J-6		Bobbin	Deleted Parts	02.2	07-025A-64L7	
245	J-5	07-008A-146L	Bobbin(Steel)	Substitution	02.2	07-225A-64L7	
246	B-1	02-101A-640L	Upper Shaft	Substitution	02.5	02-001A-640L	
247	B-20	02-014A-640L	Screw(1/4" n=40)	Substitution	02.5	SC-A129-4515	
248	D-10	SC-0317-2700	Screw(15/64" n=28)	Substitution	02.5	SC-0317-4517	
249	D-20	SC-0174-1230	Screw(11/64" n=40)	Substitution	02.5	SC-0174-4122	
250	D-34	SC-0114-1230	Screw(15/64" n=28)	Substitution	02.5	SC-0114-4515	
251	D-38	SC-0175-1230	Screw(11/64" n=40)	Substitution	02.5	SC-0175-4522	
252	E-2	SC-0145-3800	Screw(9/64" n=40)	Substitution	02.5	SC-1045-3800	
253	E-49	07-011W-1230	Spring Washer for E-48	Substitution	02.5	SW-0143-1015	
254	E-50	10-020W-2700	Washer for E-48	Substitution	02.5	SW-0120-1011	
255	H-14	06-051W-7400	Washer	Substitution	02.5	06-051W-5607	
256	J-26	44-003M-640L	Oil Pan Gasket	Substitution	02.5	44-003M-1230	
257	J-29	43-022A-640L	Control Body	Substitution	02.10	44-022A-640L	
258	A-16	SC-0120-1230	Screw(9/64" n=40)	Substitution	04.1	SC-0120-2118	
259	A-41	01-136S-1230	Screw(11/64" n=40)	Substitution	04.1	SC-A119-4119	
260	B-11	SC-0148-2302	Screw(9/32" n=28)	Substitution	04.1	SC-0148-4515	
261	B-31	04-101A-640L	Needle Bar	Substitution	04.1	04-001A-640L	
262	C-6	03-103A-1230	Upright Shaft Lower Bushing	Substitution	04.1	03-001A-2350	
263	C-7	SC-0507-1230	Screw(15/64" n=28)	Substitution	04.1	SC-0507-4515	
264	C-18	07-107A-250A	Lower Shaft Front Bushing	Substitution	04.1	07-007A-250A	
265	C-19	07-121A-64L7	Lower Shaft Front Bushing	Substitution	04.1		
266	D-9	06-109A-640L	Feed Adjusting Shaft	Substitution	04.1	06-009A-640L	
267	D-43	SC-0507-1230	Screw(15/64" n=28)	Substitution	04.1	SC-0507-4515	
268	D-44	06-140A-640L	Feed Cam	Substitution	04.1	06-040A-640L	
269	D-47	06-143A-640L	Connecting Rod For D-44	Substitution	04.1	06-043A-640L	
270	D-83	06-129A-640L	Feed Lifting Shaft Bushing	Substitution	04.1	06-029A-640L	
271	E-33	SC-0308-5607	Screw(1/4" n=40)	Substitution	04.1	SC-0308-4517	
272	E-48	SC-0190-2700	Screw(M5×P0.8)	Substitution	04.1	SC-0485-4113	
273	F-52	15-113A-3400	Upper Feed Low Level Driving Shaft Front Bushing	Substitution	04.1	15-013A-3400	
274	F-54	15-154A-3400	Upper Feed Low Level Driving Shaft Rear Bushing	Substitution	04.1	15-113A-3400	
275	J-9	01-043C-1230	Head Hinge	Substitution	04.1	01-043C-1230	
276	J-10	01-042R-1230	Head Hinge Rubber	Substitution	04.1	01-042R-1230	
277	J-11	01-241R-1230	Head Support Rubber "A"	Substitution	04.1	01-241R-1230	
278	J-12	01-213R-1230	Head Support Rubber "B"	Substitution	04.1	01-213R-1230	

NOTE)

